

Wire Management & Accessories



Nylon & Stainless Steel Cable Ties

Standard Cable Ties

Miniature Cable Ties - 18 lb.



Part No.	Color	Description	List Price*
AL-04-18-9-M	Natural	4" Miniature Cable Ties, Natural, Nylon, 18 lb Tensile Strength, 1,000 Per Bag	\$8.70
AL-04-18-0-C	UV Black	4" Miniature Cable Ties, UV Black, Nylon, 18 lb Tensile Strength, 100 Per Bag	\$13.60
AL-04-18-0-M	UV Black	4" Miniature Cable Ties, UV Black, Nylon, 18 lb Tensile Strength, 1,000 Per Bag	\$9.82
AL-08-18-9-M	Natural	8" Miniature Cable Ties, Natural, Nylon, 18 lb Tensile Strength, 1,000 Per Bag	\$24.12
AL-08-18-0-C	UV Black	8" Miniature Cable Ties, UV Black, Nylon, 18 lb Tensile Strength, 100 Per Bag	\$28.33
AL-08-18-0-M	UV Black	8" Miniature Cable Ties, UV Black, Nylon, 18 lb Tensile Strength, 1,000 Per Bag	\$27.10

Intermediate Cable Ties - 40 lb.



Part No.	Color	Description	List Price*
AL-08-40-9-M	Natural	8" Intermediate Cable Ties, Natural, Nylon, 40 lb Tensile Strength, 1000 Per Bag	\$25.33
AL-08-40-0-M	UV Black	8" Intermediate Cable Ties, UV Black, Nylon, 40 lb Tensile Strength, 1,000 Per Bag	\$28.48
AL-11-40-0-D	UV Black	11" Intermediate Cable Ties, UV Black, Nylon, 40 lb Tensile Strength, 500 Per Bag	\$59.07
AL-14-40-9-D	Natural	14" Intermediate Cable Ties, Natural, Nylon, 40 lb Tensile Strength, 500 Per Bag	\$56.22
AL-14-40-0-D	UV Black	14" Intermediate Cable Ties, UV Black, Nylon, 40 lb Tensile Strength, 500 Per Bag	\$63.73

Standard Cable Ties - 50 lb.



Part No.	Color	Description	List Price*
AL-14-50-9-D	Natural	14" Standard Cable Ties, Natural, Nylon, 50 lb Tensile Strength, 500 Per Bag	\$49.55
AL-14-50-0-D	UV Black	14" Standard Cable Ties, UV Black, Nylon, 50 lb Tensile Strength, 500 Per Bag	\$50.53
AL-17-50-9-C	Natural	17" Standard Cable Ties, Natural, Nylon, 50 lb Tensile Strength, 100 Per Bag	\$82.40
AL-17-50-0-C	UV Black	17" Standard Cable Ties, UV Black, Nylon, 50 lb Tensile Strength, 100 Per Bag	\$83.60

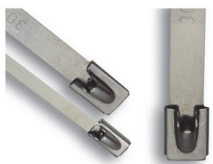
Light Heavy Duty Cable Ties - 120 lb.



Part No.	Color	Description	List Price*
AL-14-120-9-C	Natural	14" Light Heavy Duty Cable Ties, Natural, Nylon, 120 lb Tensile Strength, 100 Per Bag	\$103.13
AL-14-120-0-C	UV Black	14" Light Heavy Duty Cable Ties, UV Black, Nylon, 120 lb Tensile Strength, 100 Per Bag	\$105.08

Engineered Cable Ties

Stainless Steel Uncoated Cable Ties - 150 lb.



Part No.	Description	List Price*
AL-06-100-SS-C	6" Stainless Steel Uncoated Cable Ties, 150 lb Tensile Strength, 100 Per Bag	Call for Price
AL-08-100-SS-C	8" Stainless Steel Uncoated Cable Ties, 150 lb Tensile Strength, 100 Per Bag	Call for Price
AL-08-250-SS-C	8" Stainless Steel Uncoated Cable Ties, 300 lb Tensile Strength, 100 Per Bag	Call for Price
AL-14-100-SS-C	14" Stainless Steel Uncoated Cable Ties, 150 lb Tensile Strength, 100 Per Bag	Call for Price
AL-14-250-SS-C	14" Stainless Steel Uncoated Cable Ties, 300 lb Tensile Strength, 100 Per Bag	Call for Price
AL-20-100-SS-C	20" Stainless Steel Uncoated Cable Ties, 150 lb Tensile Strength, 100 Per Bag	Call for Price
AL-20-250-SS-C	20" Stainless Steel Uncoated Cable Ties, 300 lb Tensile Strength, 100 Per Bag	Call for Price
AL-27-100-SS-C	27" Stainless Steel Uncoated Cable Ties, 150 lb Tensile Strength, 100 Per Bag	Call for Price
AL-27-250-SS-C	27" Stainless Steel Uncoated Cable Ties, 300 lb Tensile Strength, 100 Per Bag	Call for Price

Wire Management & Accessories

Nylon & Stainless Steel Cable Ties

Engineered Cable Ties

Stainless Steel Coated Cable Ties - 150 lb.



Part No.	Coating	Description	List Price*
AL-08-100-SS-CT-C	Black Polyester	8" Black Polyester Stainless Steel Coated Cable Ties, 150 lb Tensile Strength, 100 Per Bag	Call for Price
AL-08-250-SS-CT-C	Black Polyester	8" Black Polyester Stainless Steel Coated Cable Ties, 300 lb Tensile Strength, 100 Per Bag	Call for Price
AL-14-100-SS-CT-C	Black Polyester	14" Black Polyester Stainless Steel Coated Cable Ties, 150 lb Tensile Strength, 100 Per Bag	Call for Price
AL-14-250-SS-CT-C	Black Polyester	14" Black Polyester Stainless Steel Coated Cable Ties, 300 lb Tensile Strength, 100 Per Bag	Call for Price
AL-20-100-SS-CT-C	Black Polyester	20" Black Polyester Stainless Steel Coated Cable Ties, 150 lb Tensile Strength, 100 Per Bag	Call for Price
AL-20-250-SS-CT-C	Black Polyester	20" Black Polyester Stainless Steel Coated Cable Ties, 300 lb Tensile Strength, 100 Per Bag	Call for Price
AL-27-100-SS-CT-C	Black Polyester	27" Black Polyester Stainless Steel Coated Cable Ties, 150 lb Tensile Strength, 100 Per Bag	Call for Price
AL-27-250-SS-CT-C	Black Polyester	27" Black Polyester Stainless Steel Coated Cable Ties, 300 lb Tensile Strength, 100 Per Bag	Call for Price

Cable Tie Accessories

Mounting Bases

Rubber Adhesive Mounting Bases



Part No.	Color	Description	List Price*
AL-MP-750-9-C	Natural	3/4" Rubber Adhesive Mounting Bases, Natural, Nylon, 9 lb. Mechanical Strength, 100 Per Bag	\$87.30
AL-MP-750-0-C	Black	3/4" Rubber Adhesive Mounting Bases, Black, Nylon, 9 lb. Mechanical Strength, 100 Per Bag	\$79.52
AL-MP-750-9-C-5M	Natural	3/4" Rubber Adhesive Mounting Bases, Natural, Nylon, 9 lb. Mechanical Strength, 100 Per Bag, 5000 Per Case	0.00
AL-MP-750-0-C-5M	Black	3/4" Rubber Adhesive Mounting Bases, Black, Nylon, 9 lb. Mechanical Strength, 100 Per Bag, 5000 Per Case	0.00
AL-MP-1000-9-C	Natural	1" Rubber Adhesive Mounting Bases, Natural, Nylon, 11 lb. Mechanical Strength, 100 Per Bag	\$90.88
AL-MP-1000-0-C	Black	1" Rubber Adhesive Mounting Bases, Black, Nylon, 11 lb. Mechanical Strength, 100 Per Bag	\$91.65

Wire Routing & Abrasion Protection

Cable Wraps

Spiral Cable Wrap



Part No.	Color	Description	List Price*
AL-CWP-250-9-C	Natural	1/4" Spiral Cable Wrap, Natural, Polyethylene, 0.1875" - 2.00" Bundle Range, 0.38" Pitch, 100'/Roll	\$43.30
AL-CWP-250-0-C	UV Black	1/4" Spiral Cable Wrap, UV Black, Polyethylene, 0.1875" - 2.00" Bundle Range, 0.38" Pitch, 100'/Roll	\$49.33
AL-CWP-500-9-C	Natural	1/2" Spiral Cable Wrap, Natural, Polyethylene, 0.375" - 4.00" Bundle Range, 0.56" Pitch, 100'/Roll	\$87.28
AL-CWP-500-0-C	UV Black	1/2" Spiral Cable Wrap, UV Black, Polyethylene, 0.375" - 4.00" Bundle Range, 0.56" Pitch, 100'/Roll	\$100.55
AL-CWP-750-9-C	Natural	3/4" Spiral Cable Wrap, Natural, Polyethylene, 0.75" - 5.00" Bundle Range, 0.75" Pitch, 100'/Roll	\$149.18
AL-CWP-750-0-C	UV Black	3/4" Spiral Cable Wrap, UV Black, Polyethylene, 0.75" - 5.00" Bundle Range, 0.75" Pitch, 100'/Roll	\$163.28
AL-CWP-1000-9-C	Natural	1" Spiral Cable Wrap, Natural, Polyethylene, 1.00" - 7.00" Bundle Range, 1" Pitch, 100'/Roll	\$287.95
AL-CWP-1000-0-C	UV Black	1" Spiral Cable Wrap, UV Black, Polyethylene, 1.00" - 7.00" Bundle Range, 1" Pitch, 100'/Roll	\$317.40

Tools

ACT Cable Tie Tools ADVANCED CABLE TIES, INC.

Cable Tie Removal Tools

Cable Tie / Lacing Cord Removal Tool



Part No.	Color	Description	List Price*
MG-1300	Yellow	Cable Tie Removal Tool, Yellow, 18 lb to 250 lb Cable Tie Size	\$22.62

Cable Tie / Lacing Cord Removal Tool and Wire Stripper



Part No.	Color	Description	List Price*
MG-1400	Red	Cable Tie Removal Tool & Wire Stripper, Red, 18 lb to 250 lb Cable Tie Size, 10 to 22 AWG Stripper Gauges	\$41.17

Cable Tie Installation Tools

Manual Twist Off



Part No.	Color	Description	List Price*
AL-100	Blue	Cable Tie Installation Tool, Blue, Plastic, Manual Twist Type Cut Off, 18 lb to 50 lb Cable Tie Size	\$5.65

Automatic Cut Off



Part No.	Color	Description	List Price*
AL-200	Blue	Cable Tie Installation Tool, Blue, Metal, Automatic Type Cut Off, 18 lb to 50 lb Cable Tie Size	\$92.10

Manual Handle Cut Off



Part No.	Color	Description	List Price*
AL-300	Red	Cable Tie Installation Tool, Red, Metal, Manual Type Cut Off, 120 lb to 175 lb Cable Tie Size	\$18.48

Stainless Steel, Automatic Cut Off



Part No.	Color	Description	List Price*
AL-900	Gray	Stainless Steel Cable Tie Installation Tool, Gray, Metal, Automatic Type Cut Off, 100 lb to 300 lb Cable Tie Size	\$406.23

Wire Management & Accessories

BRADY Wire & Pipe Identification

WHEN PERFORMANCE MATTERS MOST™



We set the bar high.

Brady materials lead the industry in durability and performance because we design and manufacture every label ourselves in our own facilities. We put our materials through rigorous, painstaking tests and trials – and nothing leaves our doors until it passes with flying colours.

BBP 31 and BBP 33 Materials

BRADY PermaSleeve PS Polyolefin Wire Marking Sleeves (B-342)

3:1 Shrink Ratio Single-Side Printable, 2" Sleeve Width (Dimension A)



Part No.	Supplied Diameter B In	Color	Sleeve Per Roll	Description	List Price*
B33-94-2-342	0.094"	White	1000	0.094" Dia. x 2" W PermaSleeve Single-Sided Polyolefin Wire Marking Sleeves, White, Matte Finish, For BBP33 Label Printer	\$516.99/Roll
B33-125-2-342	0.125"	White	1000	0.125" Dia. x 2" W PermaSleeve Single-Sided Polyolefin Wire Marking Sleeves, White, Matte Finish, For BBP33 Label Printer	\$577.99/Roll
B33-187-2-342	0.187"	White	750	0.187" Dia. x 2" W PermaSleeve Single-Sided Polyolefin Wire Marking Sleeves, White, Matte Finish, For BBP33 Label Printer	\$557.99/Roll
B33-250-2-342	0.25"	White	500	0.25" Dia. x 2" W PermaSleeve Single-Sided Polyolefin Wire Marking Sleeves, White, Matte Finish, For BBP33 Label Printer	\$497.99/Roll
B33-375-2-342	0.375"	White	500	0.375" Dia. x 2" W PermaSleeve Single-Sided Polyolefin Wire Marking Sleeves, White, Matte Finish, For BBP33 Label Printer	\$637.99/Roll
B33-500-2-342	0.5"	White	350	0.5" Dia. x 2" W PermaSleeve Single-Sided Polyolefin Wire Marking Sleeves, White, Matte Finish, For BBP33 Label Printer	\$531.99/Roll
B33-750-2-342	0.75"	White	250	0.75" Dia. x 2" W PermaSleeve Single-Sided Polyolefin Wire Marking Sleeves, White, Matte Finish, For BBP33 Label Printer	\$432.99/Roll
B33-1000-2-342	1"	White	250	1" Dia. x 2" W PermaSleeve Single-Sided Polyolefin Wire Marking Sleeves, White, Matte Finish, For BBP33 Label Printer	\$529.99/Roll
B33-1500-2-342	1.5"	White	150	1.5" Dia. x 2" W PermaSleeve Single-Sided Polyolefin Wire Marking Sleeves, White, Matte Finish, For BBP33 Label Printer	\$387.99/Roll
B33-94-2-342YL	0.094"	Yellow	1000	0.094" Dia. x 2" W PermaSleeve Single-Sided Polyolefin Wire Marking Sleeves, Yellow, Matte Finish, For BBP33 Label Printer	\$517.99/Roll
B33-125-2-342YL	0.125"	Yellow	1000	0.125" Dia. x 2" W PermaSleeve Single-Sided Polyolefin Wire Marking Sleeves, Yellow, Matte Finish, For BBP33 Label Printer	\$557.99/Roll
B33-187-2-342YL	0.187"	Yellow	750	0.187" Dia. x 2" W PermaSleeve Single-Sided Polyolefin Wire Marking Sleeves, Yellow, Matte Finish, For BBP33 Label Printer	\$557.99/Roll
B33-250-2-342YL	0.25"	Yellow	500	0.25" Dia. x 2" W PermaSleeve Single-Sided Polyolefin Wire Marking Sleeves, Yellow, Matte Finish, For BBP33 Label Printer	\$497.99/Roll
B33-375-2-342YL	0.375"	Yellow	500	0.375" Dia. x 2" W PermaSleeve Single-Sided Polyolefin Wire Marking Sleeves, Yellow, Matte Finish, For BBP33 Label Printer	\$618.99/Roll
B33-500-2-342YL	0.5"	Yellow	350	0.5" Dia. x 2" W PermaSleeve Single-Sided Polyolefin Wire Marking Sleeves, Yellow, Matte Finish, For BBP33 Label Printer	\$531.99/Roll
B33-750-2-342YL	0.75"	Yellow	250	0.75" Dia. x 2" W PermaSleeve Single-Sided Polyolefin Wire Marking Sleeves, Yellow, Matte Finish, For BBP33 Label Printer	\$432.99/Roll
B33-1000-2-342YL	1"	Yellow	250	1" Dia. x 2" W PermaSleeve Single-Sided Polyolefin Wire Marking Sleeves, Yellow, Matte Finish, For BBP33 Label Printer	\$513.99/Roll
B33-1500-2-342YL	1.5"	Yellow	150	1.5" Dia. x 2" W PermaSleeve Single-Sided Polyolefin Wire Marking Sleeves, Yellow, Matte Finish, For BBP33 Label Printer	\$365.99/Roll
B33-1500-2-342BK	1.5"	Black	150	1.5" Dia. x 2" W PermaSleeve Single-Sided Polyolefin Wire Marking Sleeves, Black, Matte Finish, For BBP33 Label Printer	\$365.99/Roll
B30-R4300		Black		Black Thermal Ribbon Recommended for Above Products	\$56.99/Roll

3:1 Shrink Ratio Single-Side Printable, 1" Sleeve Width in "2-Up Pre-Cut" Configuration (Dimension A)



Part No.	Supplied Diameter B In	Color	Sleeve Per Roll	Description	List Price*
B33-94-2-342-2	0.094"	White	2000	0.094" Dia. x 1" W PermaSleeve Single-Sided Polyolefin Wire Marking Sleeves with Slit, White, Matte Finish, For BBP33 Label Printer	\$509.99/Roll
B33-125-2-342-2	0.125"	White	2000	0.125" Dia. x 1" W PermaSleeve Single-Sided Polyolefin Wire Marking Sleeves with Slit, White, Matte Finish, For BBP33 Label Printer	\$565.99/Roll
B33-187-2-342-2	0.187"	White	1500	0.187" Dia. x 1" W PermaSleeve Single-Sided Polyolefin Wire Marking Sleeves with Slit, White, Matte Finish, For BBP33 Label Printer	\$557.99/Roll
B33-250-2-342-2	0.25"	White	1000	0.25" Dia. x 1" W PermaSleeve Single-Sided Polyolefin Wire Marking Sleeves with Slit, White, Matte Finish, For BBP33 Label Printer	\$497.99/Roll
B33-375-2-342-2	0.375"	White	1000	0.375" Dia. x 1" W PermaSleeve Single-Sided Polyolefin Wire Marking Sleeves with Slit, White, Matte Finish, For BBP33 Label Printer	\$637.99/Roll
B33-500-2-342-2	0.5"	White	700	0.5" Dia. x 1" W PermaSleeve Single-Sided Polyolefin Wire Marking Sleeves with Slit, White, Matte Finish, For BBP33 Label Printer	\$531.99/Roll
B33-750-2-342-2	0.75"	White	500	0.75" Dia. x 1" W PermaSleeve Single-Sided Polyolefin Wire Marking Sleeves with Slit, White, Matte Finish, For BBP33 Label Printer	\$432.99/Roll

BBP 31 and BBP 33 Materials

BRADY PermaSleeve PS Polyolefin Wire Marking Sleeves (B-342)

3:1 Shrink Ratio Single-Side Printable, 1" Sleeve Width in "2-Up Pre-Cut" Configuration (Dimension A)

Part No.	Supplied Diameter B In	Color	Sleeve Per Roll	Description	List Price*
B33-1000-2-342-2	1"	White	500	1" Dia. x 1" W PermaSleeve Single-Sided Polyolefin Wire Marking Sleeves with Slit, White, Matte Finish, For BBP33 Label Printer	\$529.99/Roll
B33-1500-2-342-2	1.5"	White	300	1.5" Dia. x 1" W PermaSleeve Single-Sided Polyolefin Wire Marking Sleeves with Slit, White, Matte Finish, For BBP33 Label Printer	\$387.99/Roll
B33-94-2-342YL-2	0.094"	Yellow	2000	0.094" Dia. x 1" W PermaSleeve Single-Sided Polyolefin Wire Marking Sleeves with Slit, Yellow, Matte Finish, For BBP33 Label Printer	\$480.99/Roll
B33-125-2-342YL-2	0.125"	Yellow	2000	0.125" Dia. x 1" W PermaSleeve Single-Sided Polyolefin Wire Marking Sleeves with Slit, Yellow, Matte Finish, For BBP33 Label Printer	\$565.99/Roll
B33-500-2-342YL-2	0.5"	Yellow	700	0.5" Dia. x 1" W PermaSleeve Single-Sided Polyolefin Wire Marking Sleeves with Slit, Yellow, Matte Finish, For BBP33 Label Printer	\$516.99/Roll
B33-750-2-342YL-2	0.75"	Yellow	500	0.75" Dia. x 1" W PermaSleeve Single-Sided Polyolefin Wire Marking Sleeves with Slit, Yellow, Matte Finish, For BBP33 Label Printer	\$407.99/Roll
B33-1000-2-342YL-2	1"	Yellow	500	1" Dia. x 1" W PermaSleeve Single-Sided Polyolefin Wire Marking Sleeves with Slit, Yellow, Matte Finish, For BBP33 Label Printer	\$498.99/Roll
B33-1500-2-342YL-2	1.5"	Yellow	300	1.5" Dia. x 1" W PermaSleeve Single-Sided Polyolefin Wire Marking Sleeves with Slit, Yellow, Matte Finish, For BBP33 Label Printer	\$376.99/Roll

BRADY Indoor/Outdoor Vinyl (B595)



Part No.	Color	Description	List Price*
B30C-500-595-WT	White	0.5" Dia. x 100' L B30 Series Outdoor Vinyl Label, White, Gloss Finish, Acrylic Type Adhesive, 0.004" Thickness	\$68.99/Roll
B30C-1125-595-WT	White	1.125" Dia. x 100' L B30 Series Outdoor Vinyl Label, White, Gloss Finish, Acrylic Type Adhesive, 0.004" Thickness	\$109.99/Roll
B30C-2250-595-WT	White	2.25" Dia. x 100' L B30 Series Outdoor Vinyl Label, White, Gloss Finish, Acrylic Type Adhesive, 0.004" Thickness	\$163.99/Roll
B30C-3000-595-WT	White	3" Dia. x 100' L B30 Series Outdoor Vinyl Label, White, Gloss Finish, Acrylic Type Adhesive, 0.004" Thickness	\$217.99/Roll
B30C-4000-595-WT	White	4" Dia. x 100' L B30 Series Outdoor Vinyl Label, White, Gloss Finish, Acrylic Type Adhesive, 0.004" Thickness	\$245.99/Roll
B30C-500-595-YL	Yellow	0.5" Dia. x 100' L B30 Series Outdoor Vinyl Label, Yellow, Gloss Finish, Acrylic Type Adhesive, 0.004" Thickness	\$68.99/Roll
B30C-1125-595-YL	Yellow	1.125" Dia. x 100' L B30 Series Outdoor Vinyl Label, Yellow, Gloss Finish, Acrylic Type Adhesive, 0.004" Thickness	\$109.99/Roll
B30C-2250-595-YL	Yellow	2.25" Dia. x 100' L B30 Series Outdoor Vinyl Label, Yellow, Gloss Finish, Acrylic Type Adhesive, 0.004" Thickness	\$163.99/Roll
B30C-3000-595-YL	Yellow	3" Dia. x 100' L B30 Series Outdoor Vinyl Label, Yellow, Gloss Finish, Acrylic Type Adhesive, 0.004" Thickness	\$217.99/Roll
B30C-4000-595-YL	Yellow	4" Dia. x 100' L B30 Series Outdoor Vinyl Label, Yellow, Gloss Finish, Acrylic Type Adhesive, 0.004" Thickness	\$245.99/Roll
B30C-500-595-RD	Red	0.5" Dia. x 100' L B30 Series Outdoor Vinyl Label, Red, Gloss Finish, Acrylic Type Adhesive, 0.004" Thickness	\$68.99/Roll
B30C-1125-595-RD	Red	1.125" Dia. x 100' L B30 Series Outdoor Vinyl Label, Red, Gloss Finish, Acrylic Type Adhesive, 0.004" Thickness	\$109.99/Roll
B30C-2250-595-RD	Red	2.25" Dia. x 100' L B30 Series Outdoor Vinyl Label, Red, Gloss Finish, Acrylic Type Adhesive, 0.004" Thickness	\$163.99/Roll
B30C-4000-595-RD	Red	4" Dia. x 100' L B30 Series Outdoor Vinyl Label, Red, Gloss Finish, Acrylic Type Adhesive, 0.004" Thickness	\$245.99/Roll
B30C-500-595-BL	Blue	0.5" Dia. x 100' L B30 Series Outdoor Vinyl Label, Blue, Gloss Finish, Acrylic Type Adhesive, 0.004" Thickness	\$68.99/Roll
B30C-1125-595-BL	Blue	1.125" Dia. x 100' L B30 Series Outdoor Vinyl Label, Blue, Gloss Finish, Acrylic Type Adhesive, 0.004" Thickness	\$109.99/Roll
B30C-2250-595-BL	Blue	2.25" Dia. x 100' L B30 Series Outdoor Vinyl Label, Blue, Gloss Finish, Acrylic Type Adhesive, 0.004" Thickness	\$163.99/Roll
B30C-4000-595-BL	Blue	4" Dia. x 100' L B30 Series Outdoor Vinyl Label, Blue, Gloss Finish, Acrylic Type Adhesive, 0.004" Thickness	\$245.99/Roll
B30C-500-595-GN	Green	0.5" Dia. x 100' L B30 Series Outdoor Vinyl Label, Green, Gloss Finish, Acrylic Type Adhesive, 0.004" Thickness	\$68.99/Roll
B30C-1125-595-GN	Green	1.125" Dia. x 100' L B30 Series Outdoor Vinyl Label, Green, Gloss Finish, Acrylic Type Adhesive, 0.004" Thickness	\$109.99/Roll
B30C-2250-595-GN	Green	2.25" Dia. x 100' L B30 Series Outdoor Vinyl Label, Green, Gloss Finish, Acrylic Type Adhesive, 0.004" Thickness	\$163.99/Roll
B30C-4000-595-GN	Green	4" Dia. x 100' L B30 Series Outdoor Vinyl Label, Green, Gloss Finish, Acrylic Type Adhesive, 0.004" Thickness	\$245.99/Roll
B30C-500-595-OR	Orange	0.5" Dia. x 100' L B30 Series Outdoor Vinyl Label, Orange, Gloss Finish, Acrylic Type Adhesive, 0.004" Thickness	\$68.99/Roll
B30C-1125-595-OR	Orange	1.125" Dia. x 100' L B30 Series Outdoor Vinyl Label, Orange, Gloss Finish, Acrylic Type Adhesive, 0.004" Thickness	\$109.99/Roll
B30C-2250-595-OR	Orange	2.25" Dia. x 100' L B30 Series Outdoor Vinyl Label, Orange, Gloss Finish, Acrylic Type Adhesive, 0.004" Thickness	\$163.99/Roll
B30C-4000-595-OR	Orange	4" Dia. x 100' L B30 Series Outdoor Vinyl Label, Orange, Gloss Finish, Acrylic Type Adhesive, 0.004" Thickness	\$245.99/Roll
B30C-500-595-BK	Black	0.5" Dia. x 100' L B30 Series Outdoor Vinyl Label, Black, Gloss Finish, Acrylic Type Adhesive, 0.004" Thickness	\$68.99/Roll
B30C-1125-595-BK	Black	1.125" Dia. x 100' L B30 Series Outdoor Vinyl Label, Black, Gloss Finish, Acrylic Type Adhesive, 0.004" Thickness	\$109.99/Roll
B30C-2250-595-BK	Black	2.25" Dia. x 100' L B30 Series Outdoor Vinyl Label, Black, Gloss Finish, Acrylic Type Adhesive, 0.004" Thickness	\$163.99/Roll

BBP 31 and BBP 33 Materials

BRADY Indoor/Outdoor Vinyl (B595)

WHEN PERFORMANCE MATTERS MOST

Part No.	Color	Description	List Price*
B30C-4000-595-BK	Black	4" Dia. x 100' L B30 Series Outdoor Vinyl Label, Black, Gloss Finish, Acrylic Type Adhesive, 0.004" Thickness	\$245.99/Roll
B30C-500-595-BR	Brown	0.5" Dia. x 100' L B30 Series Outdoor Vinyl Label, Brown, Gloss Finish, Acrylic Type Adhesive, 0.004" Thickness	\$68.99/Roll
B30C-1125-595-BR	Brown	1.125" Dia. x 100' L B30 Series Outdoor Vinyl Label, Brown, Gloss Finish, Acrylic Type Adhesive, 0.004" Thickness	\$109.99/Roll
B30C-2250-595-BR	Brown	2.25" Dia. x 100' L B30 Series Outdoor Vinyl Label, Brown, Gloss Finish, Acrylic Type Adhesive, 0.004" Thickness	\$163.99/Roll
B30C-4000-595-BR	Brown	4" Dia. x 100' L B30 Series Outdoor Vinyl Label, Brown, Gloss Finish, Acrylic Type Adhesive, 0.004" Thickness	\$245.99/Roll
B30C-500-595-GD	Gold	0.5" Dia. x 100' L B30 Series Outdoor Vinyl Label, Gold, Gloss Finish, Acrylic Type Adhesive, 0.004" Thickness	\$68.99/Roll
B30C-1125-595-GD	Gold	1.125" Dia. x 100' L B30 Series Outdoor Vinyl Label, Gold, Gloss Finish, Acrylic Type Adhesive, 0.004" Thickness	\$109.99/Roll
B30C-2250-595-GD	Gold	2.25" Dia. x 100' L B30 Series Outdoor Vinyl Label, Gold, Gloss Finish, Acrylic Type Adhesive, 0.004" Thickness	\$163.99/Roll
B30C-4000-595-GD	Gold	4" Dia. x 100' L B30 Series Outdoor Vinyl Label, Gold, Gloss Finish, Acrylic Type Adhesive, 0.004" Thickness	\$245.99/Roll
B30C-500-595-GY	Gray	0.5" Dia. x 100' L B30 Series Outdoor Vinyl Label, Gray, Gloss Finish, Acrylic Type Adhesive, 0.004" Thickness	\$68.99/Roll
B30C-1125-595-GY	Gray	1.125" Dia. x 100' L B30 Series Outdoor Vinyl Label, Gray, Gloss Finish, Acrylic Type Adhesive, 0.004" Thickness	\$109.99/Roll
B30C-2250-595-GY	Gray	2.25" Dia. x 100' L B30 Series Outdoor Vinyl Label, Gray, Gloss Finish, Acrylic Type Adhesive, 0.004" Thickness	\$163.99/Roll
B30C-4000-595-GY	Gray	4" Dia. x 100' L B30 Series Outdoor Vinyl Label, Gray, Gloss Finish, Acrylic Type Adhesive, 0.004" Thickness	\$245.99/Roll
B30C-500-595-PL	Purple	0.5" Dia. x 100' L B30 Series Outdoor Vinyl Label, Purple, Gloss Finish, Acrylic Type Adhesive, 0.004" Thickness	\$68.99/Roll
B30C-1125-595-PL	Purple	1.125" Dia. x 100' L B30 Series Outdoor Vinyl Label, Purple, Gloss Finish, Acrylic Type Adhesive, 0.004" Thickness	\$109.99/Roll
B30C-2250-595-PL	Purple	2.25" Dia. x 100' L B30 Series Outdoor Vinyl Label, Purple, Gloss Finish, Acrylic Type Adhesive, 0.004" Thickness	\$163.99/Roll
B30C-4000-595-PL	Purple	4" Dia. x 100' L B30 Series Outdoor Vinyl Label, Purple, Gloss Finish, Acrylic Type Adhesive, 0.004" Thickness	\$245.99/Roll
B30C-500-595-CL	Clear	0.5" Dia. x 100' L B30 Series Outdoor Vinyl Label, Clear, Gloss Finish, Acrylic Type Adhesive, 0.004" Thickness	\$68.99/Roll
B30C-1125-595-CL	Clear	1.125" Dia. x 100' L B30 Series Outdoor Vinyl Label, Clear, Gloss Finish, Acrylic Type Adhesive, 0.004" Thickness	\$109.99/Roll
B30C-2250-595-CL	Clear	2.25" Dia. x 100' L B30 Series Outdoor Vinyl Label, Clear, Gloss Finish, Acrylic Type Adhesive, 0.004" Thickness	\$163.99/Roll
B30C-4000-595-CL	Clear	4" Dia. x 100' L B30 Series Outdoor Vinyl Label, Clear, Gloss Finish, Acrylic Type Adhesive, 0.004" Thickness	\$245.99/Roll
B30-R1000	Black	Black Thermal Ribbon Recommended for Above Products	\$110.99/Roll

Printers and Scanners

BRADY Portable Printers and Accessories

WHEN PERFORMANCE MATTERS MOST

BMP61 Label Printer



Part No.	Description	List Price*
BMP61-W	12.93" H x 4.22" W x 4.19" D BMP61 Label Printer with WiFi, 110 to 240 V, 2" Tape Width, Single Color, 2.8" Display Size, 750 Maximum Labels/Day, 300 DPI Print Resolution, NiMH, Rechargeable Battery	\$774.99
BMP61	12.93" H x 4.22" W x 4.19" D BMP61 Label Printer, 110 to 240 V, 2" Tape Width, Single Color, 2.8" Display Size, 750 Maximum Labels/Day, 300 DPI Print Resolution, NiMH Battery	\$724.99

Printer Accessories



Part No.	Description	List Price*
BMP-HC-1	17.5" H x 17" W x 6.5" D BMP61 Hardcase Accessory, Black	\$64.99
BMP-STRAP-1	BMP61 Carrying Strap, Black	\$24.99
BMP-MAGNET-1	BMP61 Magnet Accessory, Black	\$24.99
BMP41-AC	BMP41 AC Adapter and Battery Charger	0.00
BMP41-QC	Quick Charger for BMP41 and BMP61 Label Printers, 18 V, Black	\$99.00
BMP41-BATT	Rechargeable Battery for BMP41 and BMP61 Label Printers, Gray	\$84.99
BMP61-BATCOV	Battery Cover for BMP61 Label Printer without Wi-Fi, Yellow	\$9.99
BMP61-W-BATCOV	Battery Cover for BMP61 Label Printer with Wi-Fi, Yellow	\$9.99
BMP61-CUTTER	BMP61 Cutter Accessory	\$74.99
PCK-5	BMP61 Cleaning Kit, 5-Pack	\$15.00

Connectors

METZ CONNECT Plugs & Jacks For Cabling

RJ45 Field Plug

C6A RJ45 Field Plug Pro



Part No.	Color	Description	List Price*
130E405032-E	Black	C6A RJ45 8(8) Field Plug Pro, Black, AWG 27/7 to 22/7 Standard Wire Connection, Straight (180°) Cable Feed, Protected Locking Hook	\$14.75

C6A RJ45 Field Plug Pro 360



Part No.	Color	Description	List Price*
130E405042-E	Black	C6A RJ45 8(8) Field Plug Pro, Black, AWG 27/7 to 22/7 Standard Wire Connection, Variable (360°) Cable Feed, Protected Locking Hook	\$19.16

RJ45 Field Plug C6A Modul - K



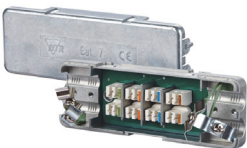
Part No.	Product Name	Description	List Price*
130B21-E	C6A Modul K 180° RJ45 Jack - Keystone Style	C6A Modul K 180° RJ45 Jack - Keystone Style, Metallike, AWG 26/7 to 22/7 Standard & AWG 26/1 to 22/1 Solid Wire Connection	\$11.56
130B22-E	C6A Modul K 270° RJ45 Jack - Keystone Style	C6A Modul K 270° RJ45 Jack - Keystone Style, Metallike, AWG 26/7 to 22/7 Standard & AWG 26/1 to 22/1 Solid Wire Connection	\$11.56
130B23-E	C6A Modul K 90° RJ45 Jack - Keystone Style	C6A Modul K 90° RJ45 Jack - Keystone Style, Metallike, AWG 26/7 to 22/7 Standard & AWG 26/1 to 22/1 Solid Wire Connection	\$11.56

METZ CONNECT Faceplates



Part No.	Description	List Price*
1355021-SSL-E	Metz 1 Port Stainless Steel Us	0.00
1355022-SSL-E	Metz 2 Port Stainless Steel Us	0.00
1355024-SSL-E	Metz 4 Port Stainless Steel Us	0.00

METZ CONNECT Accessories For Copper Cabling



Part No.	Product Name	Description	List Price*
130863-02-E	Cable Connector Class FA	Cable Connector Class FA, Metallike, AWG 26/1 to 22/1 Solid Wire Connection	\$40.70
130863-E	Cat.7 Cable Connector - 130863-E	Cat.7 Cable Connector, Metallike, AWG 26/1 to 22/1 Solid Wire Connection	\$37.91

Wires & Cables

TELDOR Hybrid & Composite Cables Cables & Systems Ltd.

Hybrid Cable 2C18AWG/4F or Hybrid Cable 2 conductor, 18 AWG/4 Fiber mm 62.5/125/250 um



Part No.	Description	List Price*
FH0040412B	Hybrid Cable, 150V, 18 AWG, 9.5 mm Nom. Outer Diameter, 2.0 mm Nom. Insulation O.D., HFFR Insulation, 4 Fibers, Black Outer Jacket	\$4.50

Coaxial Cables

Type RG-11 Armored Coaxial Cable



Part No.	Description	List Price*
7MGC013101	TYPE RG-11 Armored Coaxial Cable, 75 Ω, 14.5 mm Nom. Outer Diameter, 18 AWG Annealed Tinned Copper Conductor, UV/Termite & Rodent Resistant XL-HFFR Black Outer Jacket Material	Call for Price

TELDOR Offshore FiberOptic Cables Cables & Systems Ltd.

Outdoor Loose Tube FiberOptic Cable

MG-LDB-6-02X02-B Model



Part No.	Description	List Price*
F60040214B	Outdoor Loose Tube Offshore FiberOptic Cable, 4 Fibers, 6 Tubes, 15.4 mm Nom. Outer Diameter, 2.1 mm Nom. Tube Diameter, XL-HFFR Black Outer Jacket Material	Call for Price

MG-LDC-9-02X02-M Model



Part No.	Description	List Price*
F90040210B	Outdoor Loose Tube Offshore FiberOptic Cable, 4 Fibers, 4 Tubes, 14.6 mm Nom. Outer Diameter, 2.5 mm Nom. Tube Diameter, XL-HFFR Black Outer Jacket Material	Call for Price

MG-LDC-9-04X06-M Model



Part No.	Description	List Price*
F902404V9B	Outdoor Loose Tube Offshore FiberOptic Cable, 24 Fibers, 4 Fiber Containing Tubes, 14.6 mm Nom. Outer Diameter, 2.5 mm Nom. Tube Diameter, XL-HFFR Black Outer Jacket Material	Call for Price

MG-A-LDC-3-03X04-M Model



Part No.	Description	List Price*
F30120302B	Outdoor Loose Tube Offshore FiberOptic Cable, 12 Fibers, 4 Tubes, 15.4 mm Nom. Outer Diameter, 2.5 mm Nom. Tube Diameter, XL-HFFR Black Outer Jacket Material	Call for Price

MG-A-LDC-6-02X02-M Model



Part No.	Description	List Price*
F60040213B	Outdoor Loose Tube Offshore FiberOptic Cable, 4 Fibers, 4 Tubes, 15.4 mm nom. Outer Diameter, 2.5 mm nom. Tube Diameter, XL-HFFR Black Outer Jacket Material	Call for Price

Wires & Cables

Offshore FiberOptic Cables Cables & Systems Ltd.

Indoor/Outdoor Tight Buffer Distribution FiberOptic Cable

Indoor/Outdoor Tight Buffer Distribution FiberOptic Cable



Part No.	Description	List Price*
F40121239B	Tight Buffer Distribution FiberOptic Cable, 12 Fibers, 9 mm nom. Outer Diameter, UV/Termite & Rodent Resistant HFFR Black Outer Jacket Material, Dry Waterblocking	Call for Price

Outdoor Tight Buffer Breakout FiberOptic Cable

Outdoor Tight Buffer Breakout FiberOptic Cable



Part No.	Description	List Price*
F900404C3B	Tight Buffer Breakout FiberOptic Cable, 4 Fibers, 11.4 mm Nom. Outer Diameter, UV Resistant Black XL-HFFR Black Outer Jacket Material, Dry Waterblocking	Call for Price

Offshore Cables Cables & Systems Ltd.

Offshore BUS & Industrial Ethernet Cable



Part No.	Description	List Price*
7MG0188101	Offshore BUS & Industrial Ethernet Cable, RS-485 Type, 11.0 mm Nom. Outer Diameter, 22 AWG Blue x White Annealed Tinned Copper Conductor, UV Resistant XL-HFFR Black Outer Jacket Material	Call for Price

Instrumentation Power & Control Cable



Part No.	Description	List Price*
8MG0733101	3 x 4 mm ² Unshielded Armored SHF2 Offshore Cable, 600V, 16.5 mm Nom. Outer Diameter, 11.3 mm Nom. Inner Jacket Diameter, XL-HFFR Black Outer Jacket Material	Call for Price

Instrumentation 2 Individual Shielded Twisted Pairs Cable



Part No.	Description	List Price*
8MG1075109	2 x 2 x 1.5 mm ² Individual Shielded Fire Resistant SHF2 Offshore Cable, 250V, 18 AWG, 16.5 mm Nom. Outer Diameter, XL-HFFR Gray Outer Jacket Material	Call for Price

Instrumentation 4 Individual Shielded Twisted Pairs Cable



Part No.	Description	List Price*
8MG1085109	4 x 2 x 1.5 mm ² Individual Shielded Fire Resistant SHF2 Offshore Cable, 250V, 18 AWG, 20.0 mm Nom. Outer Diameter, XL-HFFR Gray Outer Jacket Material	Call for Price

Instrumentation Overall Shielded Fire Resistant Armored Cable



Part No.	Description	List Price*
8MG1148109	1 x 2 x 1.5 mm ² Instrumentation Fire Resistant Overall Shielded Armored Cable, 250V, 18 AWG, 14.0 mm Nom. Outer Diameter, XL-HFFR Outer Jacket Material	Call for Price
8MG1158109	1 x 2 x 2.5 mm ² Instrumentation Fire Resistant Overall Shielded Armored Cable, 250V, 18 AWG, 15.5 mm Nom. Outer Diameter, XL-HFFR Outer Jacket Material	Call for Price

Instrumentation 8 Twisted Pairs Overall Shielded Armored Cable



Part No.	Description	List Price*
8MG1241109	8 x 2 x 0.75mm ² Instrumentation 8 Twisted Pairs Overall Shielded Armored Cable, 250V, 20 AWG, 19.0 mm Nom. Outer Diameter, XL-HFFR Gray Outer Jacket Material	Call for Price

Wires & Cables

TELDOR Offshore Cables Cables & Systems Ltd.

Instrumentation 1 Shielded Twisted Pair Armored Cable



Part No.	Description	List Price*
8MG1337109	1 x 2 x 1.5 mm ² Instrumentation 1 Shielded Twisted Pair Armored Cable, 250V, 18 AWG, 11.0 mm Nom. Outer Diameter, XL-HFFR Gray Outer Jacket Material	Call for Price
8MG1347109	1 x 2 x 2.5 mm ² Instrumentation 1 Shielded Twisted Pair Armored Cable, 250V, 16 AWG, 12.0 mm Nom. Outer Diameter, XL-HFFR Gray Outer Jacket Material	Call for Price

Instrumentation Power & Control Unshielded Armored Cable



Part No.	Description	List Price*
8MG1397101	3 x 1.5 mm ² Instrumentation Power & Control Unshielded Armored Cable, 600V, 13.5 mm Nom. Outer Diameter, 1.2 mm Nom. Inner Jacket Thickness, XL-HFFR Black Outer Jacket Material	Call for Price

Instrumentation 1 Twisted Pair Overall Shielded Fire Resistant Cable



Part No.	Description	List Price*
8MG1443101	1 x 2 x 1.5 mm ² Instrumentation 1 Twisted Pair Overall Shielded Fire Resistant Cable, 250V, 18 AWG, 10.0 mm Nom. Outer Diameter, XL-HFFR Black Outer Jacket Material	Call for Price

Power & Control Fire Resistant Unshielded Cable



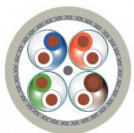
Part No.	Description	List Price*
8MG1454101	2 x 2.5 mm ² Power & Control Fire Resistant Unshielded Cable, 600V, 10.5 mm Nom. Outer Diameter, XL-HFFR Black Outer Jacket Material	Call for Price

Power & Control Fire Resistant Unshielded Armored Cable



Part No.	Description	List Price*
8MG1642101	4 x 6 mm ² Power & Control Fire Resistant Unshielded Armored Cable, 600V, 20.6 mm Nom. Outer Diameter, XL-HFFR Black Outer Jacket Material	Call for Price

Cat. 6 4x2x23/1 AWG Computer & LAN Cable



Part No.	Description	List Price*
9MG0024101	4 x 2 x 23 Cat. 6 Computer & LAN Cable, 1 AWG, 7.9 mm Nom. Outer Diameter, XL-HFFR Black Outer Jacket Material	Call for Price

Cat. 6 4x2x23/1 AWG Fire Resistant Computer & LAN Cable



Part No.	Description	List Price*
9MGF774101	4 x 2 x 23 Cat. 6 Fire Resistant Computer & LAN Cable, 1 AWG, 13.0 mm Nom. Outer Diameter, 4 Twisted Pair, 9.1 mm Nom. Inner Jacket Diameter, XL-HFFR Black Outer Jacket Material	Call for Price

Cat. 6A 4x2x23/1 AWG Computer & LAN Cable



Part No.	Description	List Price*
9827B44101	4 x 2 x 23 Cat. 6A Computer & LAN Cable, 1 AWG, 7.7 mm Nom. Outer Diameter, 4 Aluminum-foil Shielded Twisted Pair, FR-LSZH Black Outer Jacket Material	Call for Price

Cat. 7 DB 4x2x23/7 AWG S/FTP LSZH/SHF1 IEC60332-3A



Part No.	Description	List Price*
9MGD240	Cat.7, 23/7 AWG, 8.5 mm Nom. Outer Diameter, 1.48 mm Nom. Insulation O.D., Cellular PE Insulation, 8 Conductor	\$1100.00

Power Management



(UPS) Uninterruptible Power Supply & EPDUs



Eaton 9PX UPS

Business Continuity for Edge Computing



When you need flexible protection for equipment in IT racks, network closets and mission-critical applications, look no further than the Eaton 9PX UPS. Providing solutions that are reliable, versatile, powerful and efficient, the 9PX integrates seamlessly into just about any environment.

With double-conversion topology for constant power conditioning and ENERGY STAR qualification, the 9PX supports your overall goal of business continuity. It's also built for scalable deployment and features a graphical LCD interface that enables local access to configurations and settings, history and diagnostics, energy consumption and load segment control.

9PX UPS

9PX - 120/110/100V¹ RT Models



Part No.	Color	Description	List Price*
9PX700RT	Black/Silver	9PX UPS, 120V, 50/60 Hz, 700 VA, 630 W, Input 5-15P, Output (8) 5-15R, 2U Rack Size	\$1096.00
9PX1000RT	Black/Silver	9PX UPS, 120V, 50/60 Hz, 1000 VA, 900 W, Input 5-15P, Output (8) 5-15R, 2U Rack Size	\$1371.00
9PX1500RT	Black/Silver	9PX UPS, 2U, 1500 VA, 1350 W, 5-15P Input, Outputs: (8) 5-15R, 120V	\$1925.00
9PX1500RTN	Black/Silver	9PX UPS with Network Card, 120V, 50/60 Hz, 1500 VA, 1350 W, Input 5-15P, Output (8) 5-15R, 2U Rack Size	\$2336.00
9PX2000RT	Black/Silver	9PX UPS, 120V, 50/60 Hz, 2000 VA, 1800 W, Input 5-20P, Output (6) 5-20R, (1) L5-20R, 2U Rack Size	\$2424.00
9PX2000RTN	Black/Silver	9PX UPS with Network Card, 120V, 50/60 Hz, 2000 VA, 1800 W, Input 5-20P, Output (6) 5-20R, (1) L5-20R, 2U Rack Size	\$2835.00
9PX3000RT	Black/Silver	9PX UPS, 120V, 50/60 Hz, 3000 VA, 2700 W, Input L5-30P, Output (6) 5-20R, (1) L5-30R, 2U Rack Size	\$4052.00
9PX3000RTN	Black/Silver	9PX UPS with Network Card, 120V, 50/60 Hz, 3000 VA, 2700 W, L5-30P Input, Output (6) 5-20R, (1) L5-30R, 2U Rack Size	\$4464.00

9PX - 208/230/240V³ RT Models



Part No.	Color	Description	List Price*
9PX1000GRT	Black/Silver	9PX UPS, 2U, 1000 VA, 900 W, C14 Input, Outputs: (8) C13, 208V	\$1371.00
9PX1500GRT	Black/Silver	9PX UPS, 2U, 1500 VA, 1350 W, C14 Input, Outputs: (8) C13, 208V	\$1925.00
9PX2200GRT	Black/Silver	9PX UPS, 208V, 50/60 Hz, 2200 VA, 2000 W, Input L6-20P, Output (8) C13, (2) C19, 2U Rack Size	\$2424.00
9PX3000GRT	Black/Silver	9PX UPS, 208V, 50/60 Hz, 3000 VA, 3000 W, Input L6-20P, Output (8) C13, (2) C19, 2U Rack Size, RS-232 (RJ45), USB (HID) Communication	\$4052.00
9PX3000GLRT	Black/Silver	9PX UPS, 208V, 50/60 Hz, 3000 VA, 3000 W, Input L6-20P, Output (2) L6-20R, (1) L6-30R, 2U Rack Size	\$4052.00
9PX3K3UN	Black/Silver	9PX UPS, 208V, 50/60 Hz, 3000 VA, 3000 W, Input L6-30P, Output (2) L6-20R, (2) L6-30R, 3U Rack Size	\$4796.00

Power Management



(UPS) Uninterruptible Power Supply & EPDUs

9PX UPS

9PX Options



Part No.	Color	Description	List Price*
9PXEBM36RT	Black/Silver	9PX Extended Battery Module, 2U Rack Size, Sealed, Lead-Acid Battery, 36Vdc, 700-1000VA Power Ratings	\$844.00
9PXEBM48RT	Black/Silver	9PX Extended Battery Module, 2U Rack Size, Sealed, Lead-Acid Battery, 48Vdc, 1000-1500VA Power Ratings	\$912.00
9PXEBM72RT	Black/Silver	9PX Extended Battery Module, 2U Rack Size, Sealed, Lead-Acid Battery, 72Vdc, 2000-2200-3000VA Power Ratings	\$936.00
9PXEBM180RT	Black/Silver	9PX Extended Battery Module (EBM), 3U, Used with 9PX6K, 9PX5K, 9PX6KG, 9PX3K3UN	\$1757.00
NETWORK-MS		Network Card-MS, Web/SNMP Communications, 5V - 12V Input, 300mA Max. Current, Mini-Slot	\$329.00

Mounting Hardware



Part No.	Color	Description	List Price*
RK2PC	Black/Silver	9PX 2-Post Rack Mounting Rail Kit (One Kit Required for Each UPS and EBM) for Used with 5 and 6 kVA 9PX Models	\$118.00
BINTSYS	Black/Silver	Battery Integration System - Vertical Mounting Platform with Wheels for Used with 9PX 5-11k, 9PX3K3UN Models	\$578.00

Power Distribution and Maintenance Bypass Options



Part No.	Color	Description	List Price*
EHBPL1500R-PDU1U	Black	Basic Rack PDU, 110-125V, 5-15P Input, (6) 5-15R Receptacles, 50/60 Hz, 1.44 kW, 2U Form Factor	\$269.00
EHBPL2000R-PDU1U	Black	Basic Rack PDU, 110-125V, 5-20P Input, (6) 5-20R Receptacles, 50/60 Hz, 1.92 kW, 2U Form Factor	\$321.00
EHBPL3000R-PDU1U	Black	Basic Rack PDU, 110-125V, L5-30P Input, (5) 5-20R Receptacles, 50/60 Hz, 2.88 kW, 2U Form Factor	\$467.00

EPBZ



Part No.	Color	Description	List Price*
EPBZ74	Black	Basic Rack PDU, 0U Vertical, Input 5-20P, L5-20P, Output (14) 5-20R, 1.92 kW Max, 100-120V, 20A, 15 Ft. Cord, Single-Phase	\$199.00
EPBZ78	Black	Basic Rack PDU, 1U, Horizontal, Input L5-30P, Output (20) 5-20R, 2.88 kW Max, 100-120V, 24A, 15 Ft. Cord, Single-Phase	\$302.00
EPBZ88	Black	Basic Rack PDU, 1U, Horizontal, Input C20, Output (10) C13, (2) C19, 3.33 kW Max, 100-240V, 24A, 6 Ft. Cord, Single-Phase	\$142.00
EPBZ93	Black	Basic Rack PDU, 0U Vertical, Input L6-20P, Output (20) C13, (4) C19, 3.33 kW Max, 208-240V, 16A, 10 Ft. Cord, Single-Phase	\$277.00
EPBZ79	Black	Basic Rack PDU, 1U, Horizontal, Input L6-30P, Output (16) C13, (4) C19, 4.99 kW Max, 200-250V, 24A, 15 Ft. Cord, Single-Phase	\$302.00

9PX5-11 kVA 208V Output, 50/60 Hz Bundles



Part No.	Color	Description	List Price*
9PX5K	Black/Silver	9PX UPS, 3U, 5000 VA, 4500 W, L6-30P Input, Outputs: (2) L6-20R, (2) L6-30R, Hardwired, 208V	\$6040.00
9PX6K	Black/Silver	9PX UPS, 3U, 6000 VA, 5400 W, L6-30P Input, Outputs: (2) L6-20R, (2) L6-30R, Hardwired, 208V	\$6676.00
9PX6KG	Black/Silver	9PX Rack/Tower UPS, 6000 VA, 5400 W, Hardwired Input, Outputs (2) C19, (8) C13, 208V	\$557.00
9PX8KHW	Black/Silver	9PX UPS, 208V, 50/60 Hz, 8 kVA, 7.2 kW, Input Hardwired, Output Hardwired, 6U Rack Size	\$7742.00
9PX8K	Black/Silver	9PX UPS, 208V, 50/60 Hz, 8 kVA, 7.2 kW, Input Hardwired, Output (3) L6-30R, Hardwired, 6U Rack Size	\$8720.00
9PX11KHW	Black/Silver	9PX UPS, 6U, 11 kVA, 10 kW, Hardwired Input, Outputs: Hardwired, 208V	\$9048.00
9PX11K	Black/Silver	9PX UPS, 6U, 11 kVA, 10 kW, Hardwired Input, Outputs: (3) L6-30R, Hardwired, 208V	\$9996.00

Power Management



(UPS) Uninterruptible Power Supply & EPDUs

9PX UPS

9PX5-11 kVA 120/208V Output, 50/60 Hz Bundles



Part No.	Color	Description	List Price*
9PX5KTF5	Black/Silver	9PX UPS, 208V, 50/60 Hz, 5000 VA, 4500 W, Input L6-30P, Output (18) 5-20R, (2) L6-20R, (1) L6-30R, 6U Rack Size	\$7049.00
9PX5KP1	Black/Silver	9PX UPS, 120/240V, 50/60 Hz, 5000 VA, 4500 W, Input L6-30P, Output (6) 5-20R, (1) L6-30R, (1) L14-30R, 6U Rack Size	\$7208.00
9PX5KP2-KIT	Black/Silver	9PX UPS, 6U, 5000 VA, 4500 W, Hardwired Input, Outputs: Hardwired, 120/240V	\$7208.00
9PX6KTF5	Black/Silver	9PX UPS, 120/240V, 50/60 Hz, 6000 VA, 5400 W, Input L6-30P, Output (18) 5-20R, (2) L6-20R, (1) L6-30R, 6U Rack Size	\$7672.00
9PX6KP1	Black/Silver	9PX UPS, 120/240V, 50/60 Hz, 6000 VA, 5400 W, Input L6-30P, Output (6) 5-20R, (1) L6-30R, (1) L14-30R, 6U Rack Size	\$7832.00
9PX6KP2	Black/Silver	9PX UPS, 120/240V, 50/60 Hz, 6000 VA, 5400 W, Input Hardwired, Output Hardwired, 6U Rack Size	\$7832.00
9PX8KTF5	Black/Silver	9PX UPS, 208V, 50/60 Hz, 8 kVA, 7.2 kW, Input Hardwired, Output (18) 5-20R, (2) L6-30R, 9U Rack Size	\$9849.00
9PX11KTF5	Black/Silver	9PX UPS, 208V, 50/60 Hz, 11 kVA, 10 kW, Input Hardwired, Output (18) 5-20R, (2) L6-30R, 9U Rack Size	\$11090.00
9PX11KTF11	Black/Silver	9PX UPS, 9U, 11 kVA, 10 kW, Hardwired Input, Outputs: (8) 5-20R, (3) L6-30R, (2) L14-30R, Hardwired, 208V	\$13188.00

Extended Battery Module and Accessories - 5 and 6kVA



Part No.	Color	Description	List Price*
EBMCBL180	Black/Silver	9PX Battery Extension Cable, 6 Ft. Length, Black/Silver for Used with 9PXEBM180RT Model Battery Module	\$169.00
CBLADAPT180		9PX Adapter Cable From Eaton EX RT UPS or EBM to 5/6 kVA 9PX UPS Models	\$143.00

Extended Battery Module and Accessories - 8 and 11kVA



Part No.	Color	Description	List Price*
9PXEBM240RT	Black/Silver	9PX Extended Battery Module, 3U Rack Size, Sealed, Lead-Acid Battery for Used with 9PX 8-11 kVA 208V UPS Model	\$1749.00
SC240RT	Black/Silver	9PX/9SX Extended Battery Module Supercharger, Input Hardwired, 3U Rack Size	\$863.00
EBMCBL240	Black/Silver	9PX Battery Extension Cable, 6 Ft. Length, Black/Silver for Used with 9PXEBM240RT Model Battery Module	\$181.00
CBLADAPT240	Black	Adapter Cable From EX RT UPS EBMs to 8 and 11 kVA 9PX UPS Models	\$143.00

Power Distribution and Bypass



Part No.	Color	Description	List Price*
MBP6K208	Black/Silver	9PX Maintenance Bypass Switch, 200 - 240V Nominal, 50/60 Hz, 24A, Input Hardwired, Output (1) L6-30R, Hardwired, 3U Rack Size	\$625.00
MBP11K208	Black/Silver	9PX Maintenance Bypass Switch, 200 - 240V Nominal, 50/60 Hz, 50A, Input Hardwired, Output (3) L6-30R, Hardwired, 3U Rack Size	\$998.00
PW105BA2U420	Black	Basic Rack PDU, Input L6-30P, Output (4) L6-20R, 200-240V, 30A, 4.99 kW Max, 9 Ft. Cord, 2U, Single-Phase	\$608.00
EBA201-10	Black	Basic Rack PDU, Input L14-30P, Output (24) 5-20R, 120/240V, 24A, 5.76 kW Max., 10 Ft. Cord, Split-Phase, 0U Vertical	\$844.00
PW105BA2U422	Black	Basic Rack PDU, Input L14-30P, Output (4) L6-20R, 120/240V, 30A, 4.99 kW Max., 9 Ft. Cord, Split-Phase, 2U	0.00

Controls

IDEC Relays & Sockets

Think Automation and beyond...

RV8H Series - 6mm Slim Interface Relay

Electromechanical Screw Terminal



RV8H - L - AD110 - C1D2

Terminals
L=Screw
S=Spring Clamp

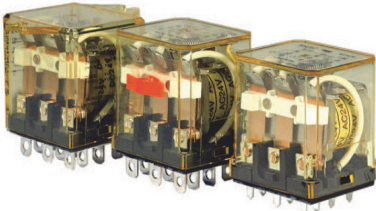
Voltage Code
D6=6V DC AD12=12V AC/DC
D9=9V DC AD18=18V AC/DC
D12=12V DC AD24=24V AC/DC
D18=18V DC AD48=48V AC/DC
D24=24V DC AD60=60V AC/DC
AD110=100-125V AC/DC
AD220=220V-240V AC/DC

Rating
C1D2=Class 1 Division 2 rating
Blank=no CID2 rating

Part No.	Description	List Price*
RV8H-L-D6	6mm Slim Interface Relay, Pre-Assembled, 6VDC Input Voltage, 6A, SPDT, Screw Terminal, 1 Pole	\$14.50
RV8H-L-D9	6mm Slim Interface Relay, Pre-Assembled, 9VDC Input Voltage, 6A, SPDT, Screw Terminal, 1 Pole	\$14.50
RV8H-L-D12	6mm Slim Interface Relay, Pre-Assembled, 12VDC Input Voltage, 6A, SPDT, Screw Terminal, 1 Pole	\$14.50
RV8H-L-D18	6mm Slim Interface Relay, Pre-Assembled, 18VDC Input Voltage, 6A, SPDT, Screw Terminal, 1 Pole	\$14.50
RV8H-L-D24	6mm Slim Interface Relay, Pre-Assembled, 24VDC Input Voltage, 6A, SPDT, Screw Terminal, 1 Pole	\$14.50
RV8H-L-AD12	6mm Slim Interface Relay, Pre-Assembled, 12V AC/DC Input Voltage, 6A, SPDT, Screw Terminal, 1 Pole	\$15.50
RV8H-L-AD18	6mm Slim Interface Relay, Pre-Assembled, 18V AC/DC Input Voltage, 6A, SPDT, Screw Terminal, 1 Pole	\$15.50
RV8H-L-AD24	6mm Slim Interface Relay, Pre-Assembled, 24V AC/DC Input Voltage, 6A, SPDT, Screw Terminal, 1 Pole	\$15.50
RV8H-L-AD48	6mm Slim Interface Relay, Pre-Assembled, 48V AC/DC Input Voltage, 6A, SPDT, Screw Terminal, 1 Pole	\$16.50
RV8H-L-AD60	6mm Slim Interface Relay, Pre-Assembled, 60V AC/DC Input Voltage, 6A, SPDT, Screw Terminal, 1 Pole	\$17.50
RV8H-L-AD110	6mm Slim Interface Relay, Pre-Assembled, 120V AC/DC Input Voltage, 6A, SPDT, Screw Terminal, 1 Pole	\$17.50
RV8H-L-AD220	6mm Slim Interface Relay, Pre-Assembled, 240V AC/DC Input Voltage, 6A, SPDT, Screw Terminal, 1 Pole	\$17.50

RH Series Compact Power Relays

Blade Terminal



RH 1 B - U L AC24V

Contact Configuration
1=SPDT
2=DPDT
3=3PDT
4=4PDT

Terminal Type
B=Blade (.187")
VZ=PCB

Options
L=Indicator light
C=Check button
T=Top mounting*
D=Diode (DC only)

Coil Voltage
AC6V DC6V
AC12V DC12V
AC24V DC24V
AC120V DC48V
AC240V DC110V

*Diode, Indicator light, and check button not available with top mount option
1. For RH2B use AC110-120V
2. For RH2B use AC220-240V
3. For RH2B use DC100-110V

Part No.	Description	List Price*
RH1B-ULAC24V	RH Series Compact Power Plug-In Relays, 24VAC Input Voltage, 10A, SPDT, Blade Terminal, Indicator Light	\$11.65
RH1B-ULAC120V	RH Series Compact Power Plug-In Relays, 120VAC Input Voltage, 10A, SPDT, Blade Terminal, Indicator Light	\$12.50
RH1B-ULAC240V	RH Series Compact Power Plug-In Relays, 240VAC Input Voltage, 10A, SPDT, Blade Terminal, Indicator Light	\$25.98
RH1B-ULDC24V	RH Series Compact Power Plug-In Relays, 24VDC Input Voltage, 10A, SPDT, Blade Terminal, Indicator Light	\$11.65
RH2B-ULAC24V	RH Series Compact Power Plug-In Relays, 24VAC Input Voltage, 10A, DPDT, Blade Terminal, Indicator Light	\$12.81
RH2B-ULAC120V	RH Series Compact Power Plug-In Relays, 120VAC Input Voltage, 10A, DPDT, Blade Terminal, Indicator Light	\$10.11
RH2B-ULAC240V	RH Series Compact Power Plug-In Relays, 240VAC Input Voltage, 10A, DPDT, Blade Terminal, Indicator Light	\$14.35
RH2B-ULDC24V	RH Series Compact Power Plug-In Relays, 24VDC Input Voltage, 10A, DPDT, Blade Terminal, Indicator Light	\$12.24
RH3B-ULAC24V	RH Series Compact Power Plug-In Relays, 24VAC Input Voltage, 10A, 3PDT, Blade Terminal, Indicator Light	\$15.58
RH3B-ULAC120V	RH Series Compact Power Plug-In Relays, 120VAC Input Voltage, 10A, 3PDT, Blade Terminal, Indicator Light	\$15.58
RH3B-ULAC240V	RH Series Compact Power Plug-In Relays, 240VAC Input Voltage, 10A, 3PDT, Blade Terminal, Indicator Light	\$16.89
RH3B-ULDC24V	RH Series Compact Power Plug-In Relays, 24VDC Input Voltage, 10A, 3PDT, Blade Terminal, Indicator Light	\$14.99
RH4B-ULAC24V	RH Series Compact Power Plug-In Relays, 24VAC Input Voltage, 10A, 4PDT, Blade Terminal, Indicator Light	\$18.51
RH4B-ULAC120V	RH Series Compact Power Plug-In Relays, 120VAC Input Voltage, 10A, 4PDT, Blade Terminal, Indicator Light	\$18.51

Controls

IDEC Relays & Sockets

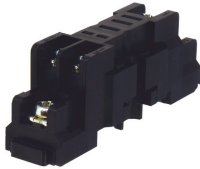
Think Automation and beyond...

RH Series Compact Power Relays

Blade Terminal

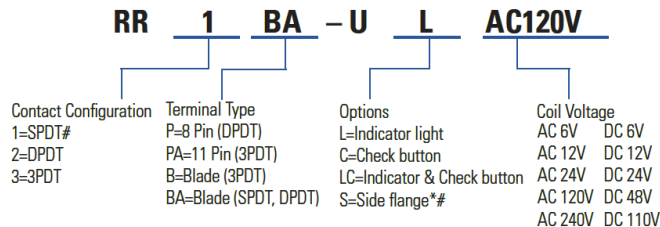
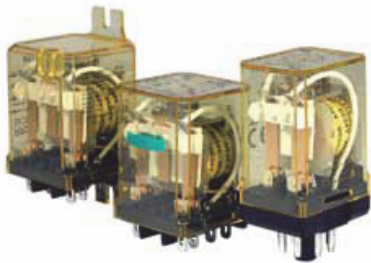
Part No.	Description	List Price*
RH4B-ULAC240V	RH Series Compact Power Plug-In Relays, 240VAC Input Voltage, 10A, 4PDT, Blade Terminal, Indicator Light	\$19.38
RH4B-ULDC24V	RH Series Compact Power Plug-In Relays, 24VDC Input Voltage, 10A, 4PDT, Blade Terminal, Indicator Light	\$18.06

SH Series Sockets



Part No.	Description	List Price*
SH1B-05	SH Series 5-Blade, Snap-Mount/Surface Mount, Sockets	\$5.87
SH2B-05	SH Series 8-Blade, Snap-Mount/Surface Mount, Sockets	\$7.30
SH3B-05	SH Series 11-Blade, Snap-Mount/Surface Mount, Sockets	\$7.93
SH4B-05	SH Series 14-Blade, Snap-Mount/Surface Mount, Sockets	\$10.31

RR Series Power Relays



* Indicator light and check button not available

Available in blade type only

Part No.	Description	List Price*
RR2P-ULAC24V	RR Series Power Plug-In Relays, AC24V Input Voltage, 10A, DPDT, Round Pin Terminal, Indicator Light	\$21.12
RR2P-ULAC120V	RR Series Power Plug-In Relays, AC120V Input Voltage, 10A, DPDT, Round Pin Terminal, Indicator Light	\$21.12
RR2P-ULAC240V	RR Series Power Plug-In Relays, AC240V Input Voltage, 10A, DPDT, Round Pin Terminal, Indicator Light	\$21.86
RR2P-ULDC24V	RR Series Power Plug-In Relays, DC24V Input Voltage, 10A, DPDT, Round Pin Terminal, Indicator Light	\$20.72
RR2P-ULDC110V	RR Series Power Plug-In Relays, DC110V Input Voltage, 10A, DPDT, Round Pin Terminal, Indicator Light	\$23.09
RR3PA-ULAC24V	RR Series Power Plug-In Relays, AC24V Input Voltage, 10A, 3PDT, Round Pin Terminal, Indicator Light	\$25.10
RR3PA-ULAC120V	RR Series Power Plug-In Relays, AC120V Input Voltage, 10A, 3PDT, Round Pin Terminal, Indicator Light	\$25.10
RR3PA-ULAC240V	RR Series Power Plug-In Relays, AC240V Input Voltage, 10A, 3PDT, Round Pin Terminal, Indicator Light	\$26.02
RR3PA-ULDC24V	RR Series Power Plug-In Relays, DC24V Input Voltage, 10A, 3PDT, Round Pin Terminal, Indicator Light	\$24.95
RR3PA-ULDC110V	RR Series Power Plug-In Relays, DC110V Input Voltage, 10A, 3PDT, Round Pin Terminal, Indicator Light	\$26.93
RR2BA-ULAC24V	RR Series Power Plug-In Relays, AC24V Input Voltage, 10A, DPDT, Blade Terminal, Indicator Light	\$16.78
RR2BA-ULAC120V	RR Series Power Plug-In Relays, AC120V Input Voltage, 10A, DPDT, Blade Terminal, Indicator Light	\$16.78
RR2BA-ULAC240V	RR Series Power Plug-In Relays, AC240V Input Voltage, 10A, DPDT, Blade Terminal, Indicator Light	\$18.09
RR2BA-ULDC24V	RR Series Power Plug-In Relays, DC24V Input Voltage, 10A, DPDT, Blade Terminal, Indicator Light	\$16.13
RR2BA-ULDC110V	RR Series Power Plug-In Relays, DC110V Input Voltage, 10A, DPDT, Blade Terminal, Indicator Light	\$17.12
RR3B-ULAC24V	RR Series Power Plug-In Relays, AC24V Input Voltage, 10A, 3PDT, Blade Terminal, Indicator Light	\$18.59
RR3B-ULAC120V	RR Series Power Plug-In Relays, AC120V Input Voltage, 10A, 3PDT, Blade Terminal, Indicator Light	\$18.59
RR3B-ULAC240V	RR Series Power Plug-In Relays, AC240V Input Voltage, 10A, 3PDT, Blade Terminal, Indicator Light	\$19.88
RR3B-ULDC24V	RR Series Power Plug-In Relays, DC24V Input Voltage, 10A, 3PDT, Blade Terminal, Indicator Light	\$17.44
RR3B-ULDC110V	RR Series Power Plug-In Relays, DC110V Input Voltage, 10A, 3PDT, Blade Terminal, Indicator Light	\$18.88

Controls

IDEC Relays & Sockets

Think Automation and beyond...

SR Series Sockets

Part No.	Description	List Price*
SR2P-05	SR Series 8-Pin Octal, Snap-Mount/Surface Mount, Sockets	\$5.72
SR2P-06	SR Series 8-Pin Octal, Snap-Mount/Surface Mount, Sockets	\$5.49
SR3P-05	SR Series 11-Pin Octal, Snap-Mount/Surface Mount, Sockets	\$7.10
SR3P-06	SR Series 11-Pin Octal, Snap-Mount/Surface Mount, Sockets	\$8.49
SR3B-05	SR Series 11-Blade, Snap-Mount/Surface Mount, Sockets	\$8.50

IDEC Power Supply

Think Automation and beyond...

PS6R Series Switching Power Supplies



Part No.	Description	List Price*
PS6R-F24	PS6R Series Switching Power Supply, 24V Rated Voltage, 5A Output Current, 120W Output Capacity, 100 to 240VAC Input Voltage	\$195.00
PS6R-G24	PS6R Series Switching Power Supply, 24V Rated Voltage, 10A Output Current, 240W Output Capacity, 100 to 240VAC Input Voltage	\$275.00
PS6R-J24	PS6R Series Switching Power Supply, 24V Rated Voltage, 20A Output Current, 480W Output Capacity, 100 to 240VAC Input Voltage	\$375.00

Parts and Accessories

Output Voltage Expansion Module



Part No.	Description	List Price*
PS9Z-6RM1	Output Voltage Expansion Module, Output: +5V, 2A, 10W	\$50.00
PS9Z-6RM2	Output Voltage Expansion Module, Output: +12V, 1A, 12W	\$50.00
PS9Z-6RM3	Output Voltage Expansion Module, Output: +5V, 1A/-5V, 1A, 10W	\$55.00
PS9Z-6RM6	Output Voltage Expansion Module, Output: +12V, 0.5A/-12V, 0.5A, 12W	\$55.00

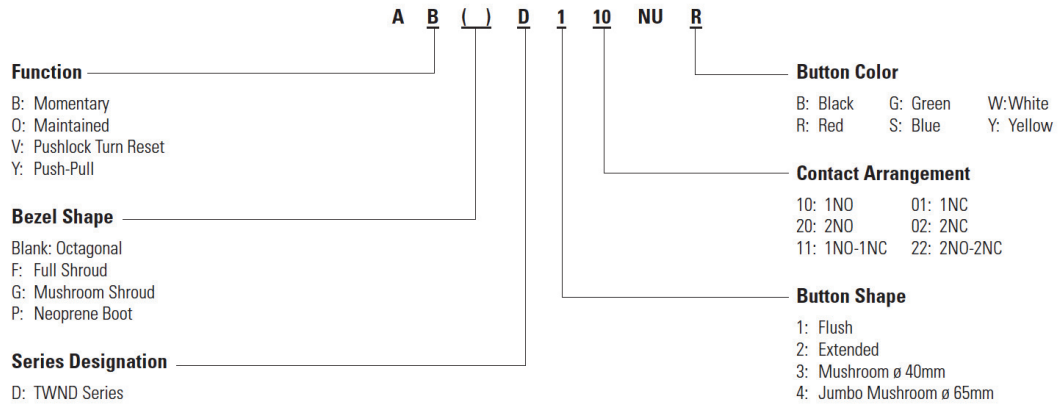
Controls

IDEC Switches & Pilot Devices

Think Automation and beyond...



Assembled Pushbuttons



ø30mm - TWND Series - Full Size NEMA Pushbuttons

Non-Illuminated Pushbuttons (Assembled)

Flush Style



Part No.	Button Color	Description	List Price*
ABD110NUB	Black	Non-Illuminated Pushbuttons (Assembled), ø30 mm, Flush Style, 1NO Contacts, Momentary Function, Black	\$29.44
ABD110NUG	Green	Non-Illuminated Pushbuttons (Assembled), ø30 mm, Flush Style, 1NO Contacts, Momentary Function, Green	\$29.44
ABD110NUR	Red	Non-Illuminated Pushbuttons (Assembled), ø30 mm, Flush Style, 1NO Contacts, Momentary Function, Red	\$29.44
ABD101NUB	Black	Non-Illuminated Pushbuttons (Assembled), ø30 mm, Flush Style, 1NC Contacts, Momentary Function, Black	\$29.44
ABD101NUG	Green	Non-Illuminated Pushbuttons (Assembled), ø30 mm, Flush Style, 1NC Contacts, Momentary Function, Green	\$29.44
ABD101NUR	Red	Non-Illuminated Pushbuttons (Assembled), ø30 mm, Flush Style, 1NC Contacts, Momentary Function, Red	\$29.44
ABD111NUB	Black	Non-Illuminated Pushbuttons (Assembled), ø30 mm, Flush Style, 1NO-1NC Contacts, Momentary Function, Black	\$39.94
ABD111NUG	Green	Non-Illuminated Pushbuttons (Assembled), ø30 mm, Flush Style, 1NO-1NC Contacts, Momentary Function, Green	\$39.94
ABD111NUR	Red	Non-Illuminated Pushbuttons (Assembled), ø30 mm, Flush Style, 1NO-1NC Contacts, Momentary Function, Red	\$39.94
ABD120NUB	Black	Non-Illuminated Pushbuttons (Assembled), ø30 mm, Flush Style, 2NO Contacts, Momentary Function, Black	\$39.94
ABD120NUG	Green	Non-Illuminated Pushbuttons (Assembled), ø30 mm, Flush Style, 2NO Contacts, Momentary Function, Green	\$39.94
ABD120NUR	Red	Non-Illuminated Pushbuttons (Assembled), ø30 mm, Flush Style, 2NO Contacts, Momentary Function, Red	\$39.94
ABD102NUB	Black	Non-Illuminated Pushbuttons (Assembled), ø30 mm, Flush Style, 2NC Contacts, Momentary Function, Black	\$39.94
ABD102NUG	Green	Non-Illuminated Pushbuttons (Assembled), ø30 mm, Flush Style, 2NC Contacts, Momentary Function, Green	\$39.94
ABD102NUR	Red	Non-Illuminated Pushbuttons (Assembled), ø30 mm, Flush Style, 2NC Contacts, Momentary Function, Red	\$39.94
AOD110NUB	Black	Non-Illuminated Pushbuttons (Assembled), ø30 mm, Flush Style, 1NO Contacts, Maintained Function, Black	\$41.17
AOD110NUG	Green	Non-Illuminated Pushbuttons (Assembled), ø30 mm, Flush Style, 1NO Contacts, Maintained Function, Green	\$41.17
AOD110NUR	Red	Non-Illuminated Pushbuttons (Assembled), ø30 mm, Flush Style, 1NO Contacts, Maintained Function, Red	\$41.17
AOD101NUB	Black	Non-Illuminated Pushbuttons (Assembled), ø30 mm, Flush Style, 1NC Contacts, Maintained Function, Black	\$41.17
AOD101NUG	Green	Non-Illuminated Pushbuttons (Assembled), ø30 mm, Flush Style, 1NC Contacts, Maintained Function, Green	\$41.17
AOD101NUR	Red	Non-Illuminated Pushbuttons (Assembled), ø30 mm, Flush Style, 1NC Contacts, Maintained Function, Red	\$41.17
AOD111NUB	Black	Non-Illuminated Pushbuttons (Assembled), ø30 mm, Flush Style, 1NO-1NC Contacts, Maintained Function, Black	\$52.04
AOD111NUG	Green	Non-Illuminated Pushbuttons (Assembled), ø30 mm, Flush Style, 1NO-1NC Contacts, Maintained Function, Green	\$52.04
AOD111NUR	Red	Non-Illuminated Pushbuttons (Assembled), ø30 mm, Flush Style, 1NO-1NC Contacts, Maintained Function, Red	\$52.04
AOD120NUB	Black	Non-Illuminated Pushbuttons (Assembled), ø30 mm, Flush Style, 2NO Contacts, Maintained Function, Black	\$52.04
AOD120NUG	Green	Non-Illuminated Pushbuttons (Assembled), ø30 mm, Flush Style, 2NO Contacts, Maintained Function, Green	\$52.04
AOD120NUR	Red	Non-Illuminated Pushbuttons (Assembled), ø30 mm, Flush Style, 2NO Contacts, Maintained Function, Red	\$52.04
AOD102NUB	Black	Non-Illuminated Pushbuttons (Assembled), ø30 mm, Flush Style, 2NC Contacts, Maintained Function, Black	\$52.04
AOD102NUG	Green	Non-Illuminated Pushbuttons (Assembled), ø30 mm, Flush Style, 2NC Contacts, Maintained Function, Green	\$52.04
AOD102NUR	Red	Non-Illuminated Pushbuttons (Assembled), ø30 mm, Flush Style, 2NC Contacts, Maintained Function, Red	\$52.04

Controls

IDEC Switches & Pilot Devices

Think Automation and beyond...

ø30mm - TWND Series - Full Size NEMA Pushbuttons

Non-Illuminated Pushbuttons (Assembled)

Extended with Neoprene Boot



Part No.	Button Color	Description	List Price*
ABPD210NUB	Black	Non-Illuminated Pushbuttons (Assembled), ø30 mm, Extended with Neoprene Boot Style, 1NO Contacts, Momentary Function, Black	\$39.94
ABPD210NUG	Green	Non-Illuminated Pushbuttons (Assembled), ø30 mm, Extended with Neoprene Boot Style, 1NO Contacts, Momentary Function, Green	\$39.94
ABPD210NUR	Red	Non-Illuminated Pushbuttons (Assembled), ø30 mm, Extended with Neoprene Boot Style, 1NO Contacts, Momentary Function, Red	\$39.94
ABPD201NUB	Black	Non-Illuminated Pushbuttons (Assembled), ø30 mm, Extended with Neoprene Boot Style, 1NC Contacts, Momentary Function, Black	\$39.94
ABPD201NUG	Green	Non-Illuminated Pushbuttons (Assembled), ø30 mm, Extended with Neoprene Boot Style, 1NC Contacts, Momentary Function, Green	\$39.94
ABPD201NUR	Red	Non-Illuminated Pushbuttons (Assembled), ø30 mm, Extended with Neoprene Boot Style, 1NC Contacts, Momentary Function, Red	\$39.94
ABPD211NUB	Black	Non-Illuminated Pushbuttons (Assembled), ø30 mm, Extended with Neoprene Boot Style, 1NO-1NC Contacts, Momentary Function, Black	\$50.46
ABPD211NUG	Green	Non-Illuminated Pushbuttons (Assembled), ø30 mm, Extended with Neoprene Boot Style, 1NO-1NC Contacts, Momentary Function, Green	\$50.46
ABPD211NUR	Red	Non-Illuminated Pushbuttons (Assembled), ø30 mm, Extended with Neoprene Boot Style, 1NO-1NC Contacts, Momentary Function, Red	\$50.46
ABPD220NUB	Black	Non-Illuminated Pushbuttons (Assembled), ø30 mm, Extended with Neoprene Boot Style, 2NO Contacts, Momentary Function, Black	\$50.46
ABPD220NUG	Green	Non-Illuminated Pushbuttons (Assembled), ø30 mm, Extended with Neoprene Boot Style, 2NO Contacts, Momentary Function, Green	\$50.46
ABPD220NUR	Red	Non-Illuminated Pushbuttons (Assembled), ø30 mm, Extended with Neoprene Boot Style, 2NO Contacts, Momentary Function, Red	\$50.46
ABPD202NUB	Black	Non-Illuminated Pushbuttons (Assembled), ø30 mm, Extended with Neoprene Boot Style, 2NC Contacts, Momentary Function, Black	\$50.46
ABPD202NUG	Green	Non-Illuminated Pushbuttons (Assembled), ø30 mm, Extended with Neoprene Boot Style, 2NC Contacts, Momentary Function, Green	\$50.46
ABPD202NUR	Red	Non-Illuminated Pushbuttons (Assembled), ø30 mm, Extended with Neoprene Boot Style, 2NC Contacts, Momentary Function, Red	\$50.46
AOPD210NUB	Black	Non-Illuminated Pushbuttons (Assembled), ø30 mm, Extended with Neoprene Boot Style, 1NO Contacts, Maintained Function, Black	\$51.69
AOPD210NUG	Green	Non-Illuminated Pushbuttons (Assembled), ø30 mm, Extended with Neoprene Boot Style, 1NO Contacts, Maintained Function, Green	\$51.73
AOPD210NUR	Red	Non-Illuminated Pushbuttons (Assembled), ø30 mm, Extended with Neoprene Boot Style, 1NO Contacts, Maintained Function, Red	\$51.69
AOPD201NUB	Black	Non-Illuminated Pushbuttons (Assembled), ø30 mm, Extended with Neoprene Boot Style, 1NC Contacts, Maintained Function, Black	\$51.69
AOPD201NUG	Green	Non-Illuminated Pushbuttons (Assembled), ø30 mm, Extended with Neoprene Boot Style, 1NC Contacts, Maintained Function, Green	\$51.69
AOPD201NUR	Red	Non-Illuminated Pushbuttons (Assembled), ø30 mm, Extended with Neoprene Boot Style, 1NC Contacts, Maintained Function, Red	\$51.69
AOPD211NUB	Black	Non-Illuminated Pushbuttons (Assembled), ø30 mm, Extended with Neoprene Boot Style, 1NO-1NC Contacts, Maintained Function, Black	\$62.55
AOPD211NUG	Green	Non-Illuminated Pushbuttons (Assembled), ø30 mm, Extended with Neoprene Boot Style, 1NO-1NC Contacts, Maintained Function, Green	\$62.55
AOPD211NUR	Red	Non-Illuminated Pushbuttons (Assembled), ø30 mm, Extended with Neoprene Boot Style, 1NO-1NC Contacts, Maintained Function, Red	\$62.55
AOPD220NUB	Black	Non-Illuminated Pushbuttons (Assembled), ø30 mm, Extended with Neoprene Boot Style, 2NO Contacts, Maintained Function, Black	\$62.55
AOPD220NUG	Green	Non-Illuminated Pushbuttons (Assembled), ø30 mm, Extended with Neoprene Boot Style, 2NO Contacts, Maintained Function, Green	\$62.55
AOPD220NUR	Red	Non-Illuminated Pushbuttons (Assembled), ø30 mm, Extended with Neoprene Boot Style, 2NO Contacts, Maintained Function, Red	\$62.55
AOPD202NUB	Black	Non-Illuminated Pushbuttons (Assembled), ø30 mm, Extended with Neoprene Boot Style, 2NC Contacts, Maintained Function, Black	\$62.55
AOPD202NUG	Green	Non-Illuminated Pushbuttons (Assembled), ø30 mm, Extended with Neoprene Boot Style, 2NC Contacts, Maintained Function, Green	\$62.55

Controls

IDEC Switches & Pilot Devices

Think Automation and beyond...

ø30mm - TWND Series - Full Size NEMA Pushbuttons

Non-Illuminated Pushbuttons (Assembled)

Extended with Neoprene Boot

Part No.	Button Color	Description	List Price*
AOPD202NUR	Red	Non-Illuminated Pushbuttons (Assembled), ø30 mm, Extended with Neoprene Boot Style, 2NC Contacts, Maintained Function, Red	\$62.55

Extended with Full Shroud



Part No.	Button Color	Description	List Price*
ABFD211NUB	Black	Non-Illuminated Pushbuttons (Assembled), ø30 mm, Extended with Full Shroud Style, 1NO-1NC Contacts, Momentary Function, Black	\$47.31
ABFD211NUG	Green	Non-Illuminated Pushbuttons (Assembled), ø30 mm, Extended with Full Shroud Style, 1NO-1NC Contacts, Momentary Function, Green	\$47.31
ABFD211NUR	Red	Non-Illuminated Pushbuttons (Assembled), ø30 mm, Extended with Full Shroud Style, 1NO-1NC Contacts, Momentary Function, Red	\$47.31
ABFD220NUB	Black	Non-Illuminated Pushbuttons (Assembled), ø30 mm, Extended with Full Shroud Style, 2NO Contacts, Momentary Function, Black	\$47.31
ABFD220NUG	Green	Non-Illuminated Pushbuttons (Assembled), ø30 mm, Extended with Full Shroud Style, 2NO Contacts, Momentary Function, Green	\$47.31
ABFD220NUR	Red	Non-Illuminated Pushbuttons (Assembled), ø30 mm, Extended with Full Shroud Style, 2NO Contacts, Momentary Function, Red	\$47.31
ABFD202NUB	Black	Non-Illuminated Pushbuttons (Assembled), ø30 mm, Extended with Full Shroud Style, 2NC Contacts, Momentary Function, Black	\$47.31
ABFD202NUG	Green	Non-Illuminated Pushbuttons (Assembled), ø30 mm, Extended with Full Shroud Style, 2NC Contacts, Momentary Function, Green	\$47.31
ABFD202NUR	Red	Non-Illuminated Pushbuttons (Assembled), ø30 mm, Extended with Full Shroud Style, 2NC Contacts, Momentary Function, Red	\$47.31

ø40mm Mushroom Head



Part No.	Button Color	Description	List Price*
ABD310NUB	Black	Non-Illuminated Pushbuttons (Assembled), ø30 mm, ø40mm Mushroom Head Style, 1NO Contacts, Momentary Function, Black	\$50.46
ABD310NUG	Green	Non-Illuminated Pushbuttons (Assembled), ø30 mm, ø40mm Mushroom Head Style, 1NO Contacts, Momentary Function, Green	\$50.46
ABD310NUR	Red	Non-Illuminated Pushbuttons (Assembled), ø30 mm, ø40mm Mushroom Head Style, 1NO Contacts, Momentary Function, Red	\$50.46
ABD301NUB	Black	Non-Illuminated Pushbuttons (Assembled), ø30 mm, ø40mm Mushroom Head Style, 1NC Contacts, Momentary Function, Black	\$50.46
ABD301NUG	Green	Non-Illuminated Pushbuttons (Assembled), ø30 mm, ø40mm Mushroom Head Style, 1NC Contacts, Momentary Function, Green	\$50.46
ABD301NUR	Red	Non-Illuminated Pushbuttons (Assembled), ø30 mm, ø40mm Mushroom Head Style, 1NC Contacts, Momentary Function, Red	\$50.46
ABD311NUB	Black	Non-Illuminated Pushbuttons (Assembled), ø30 mm, ø40mm Mushroom Head Style, 1NO-1NC Contacts, Momentary Function, Black	\$60.97
ABD311NUG	Green	Non-Illuminated Pushbuttons (Assembled), ø30 mm, ø40mm Mushroom Head Style, 1NO-1NC Contacts, Momentary Function, Green	\$60.97
ABD311NUR	Red	Non-Illuminated Pushbuttons (Assembled), ø30 mm, ø40mm Mushroom Head Style, 1NO-1NC Contacts, Momentary Function, Red	\$60.97
ABD320NUB	Black	Non-Illuminated Pushbuttons (Assembled), ø30 mm, ø40mm Mushroom Head Style, 2NO Contacts, Momentary Function, Black	\$60.97
ABD320NUG	Green	Non-Illuminated Pushbuttons (Assembled), ø30 mm, ø40mm Mushroom Head Style, 2NO Contacts, Momentary Function, Green	\$60.97
ABD320NUR	Red	Non-Illuminated Pushbuttons (Assembled), ø30 mm, ø40mm Mushroom Head Style, 2NO Contacts, Momentary Function, Red	\$60.97
ABD302NUB	Black	Non-Illuminated Pushbuttons (Assembled), ø30 mm, ø40mm Mushroom Head Style, 2NC Contacts, Momentary Function, Black	\$60.97
ABD302NUG	Green	Non-Illuminated Pushbuttons (Assembled), ø30 mm, ø40mm Mushroom Head Style, 2NC Contacts, Momentary Function, Green	\$60.97

Controls

IDEC Switches & Pilot Devices

Think Automation and beyond...

ø30mm - TWND Series - Full Size NEMA Pushbuttons

Non-Illuminated Pushbuttons (Assembled)

ø40mm Mushroom Head

Part No.	Button Color	Description	List Price*
ABD302NUR	Red	Non-Illuminated Pushbuttons (Assembled), ø30 mm, ø40mm Mushroom Head Style, 2NC Contacts, Momentary Function, Red	\$60.97

Stop Switches (Assembled)

Non-Illuminated



Part No.	Button Color	Description	List Price*
AVD310NUR	Red	Non-Illuminated Stop Switches (Assembled), ø30 mm, ø 40mm Mushroom Head Style, 1NO Contacts, Pushlock Turn Reset Function, Red	\$74.98
AVD301NUR	Red	Non-Illuminated Stop Switches (Assembled), ø30 mm, ø 40mm Mushroom Head Style, 1NC Contacts, Pushlock Turn Reset Function, Red	\$74.98
AVD311NUR	Red	Non-Illuminated Stop Switches (Assembled), ø30 mm, ø 40mm Mushroom Head Style, 1NO-1NC Contacts, Pushlock Turn Reset Function, Red	\$85.50
AVD320NUR	Red	Non-Illuminated Stop Switches (Assembled), ø30 mm, ø 40mm Mushroom Head Style, 2NO Contacts, Pushlock Turn Reset Function, Red	\$85.50
AVD302NUR	Red	Non-Illuminated Stop Switches (Assembled), ø30 mm, ø 40mm Mushroom Head Style, 2NC Contacts, Pushlock Turn Reset Function, Red	\$85.50
AYD310NUR	Red	Non-Illuminated Stop Switches (Assembled), ø30 mm, ø 40mm Mushroom Head Style, 1NO Contacts, Push-Pull Function, Red	\$71.48
AYD301NUR	Red	Non-Illuminated Stop Switches (Assembled), ø30 mm, ø 40mm Mushroom Head Style, 1NC Contacts, Push-Pull Function, Red	\$71.48
AYD311NUR	Red	Non-Illuminated Stop Switches (Assembled), ø30 mm, ø 40mm Mushroom Head Style, 1NO-1NC Contacts, Push-Pull Function, Red	\$82.00
AYD320NUR	Red	Non-Illuminated Stop Switches (Assembled), ø30 mm, ø 40mm Mushroom Head Style, 2NO Contacts, Push-Pull Function, Red	\$82.00
AYD302NUR	Red	Non-Illuminated Stop Switches (Assembled), ø30 mm, ø 40mm Mushroom Head Style, 2NC Contacts, Push-Pull Function, Red	\$82.00

Illuminated - Full Voltage



Part No.	Button Color	Description	List Price*
AYLD32211DNUAR	Red	Illuminated Stop Switches (Assembled), ø30 mm, ø 40mm Mushroom Head Style, 24V AC/DC Full Voltage, 1NO-1NC Contacts, Push-Pull Function, Amber Lens, Red	\$106.00
AYLD32211DNUGR	Red	Illuminated Stop Switches (Assembled), ø30 mm, ø 40mm Mushroom Head Style, 24V AC/DC Full Voltage, 1NO-1NC Contacts, Push-Pull Function, Green Lens, Red	\$106.00
AYLD32211DNURR	Red	Illuminated Stop Switches (Assembled), ø30 mm, ø 40mm Mushroom Head Style, 24V AC/DC Full Voltage, 1NO-1NC Contacts, Push-Pull Function, Red Lens, Red	\$106.00
AYLD3QH211DNUAR	Red	Illuminated Stop Switches (Assembled), ø30 mm, ø 40mm Mushroom Head Style, 120V AC Full Voltage, 1NO-1NC Contacts, Push-Pull Function, Amber Lens, Red	\$107.75
AYLD3QH211DNUGR	Red	Illuminated Stop Switches (Assembled), ø30 mm, ø 40mm Mushroom Head Style, 120V AC Full Voltage, 1NO-1NC Contacts, Push-Pull Function, Green Lens, Red	\$107.75
AYLD3QH211DNURR	Red	Illuminated Stop Switches (Assembled), ø30 mm, ø 40mm Mushroom Head Style, 120V AC Full Voltage, 1NO-1NC Contacts, Push-Pull Function, Red Lens, Red	\$107.75
AYLD32220DNUAR	Red	Illuminated Stop Switches (Assembled), ø30 mm, ø 40mm Mushroom Head Style, 24V AC/DC Full Voltage, 2NO Contacts, Push-Pull Function, Amber Lens, Red	\$106.00
AYLD32220DNUGR	Red	Illuminated Stop Switches (Assembled), ø30 mm, ø 40mm Mushroom Head Style, 24V AC/DC Full Voltage, 2NO Contacts, Push-Pull Function, Green Lens, Red	\$106.00
AYLD32220DNURR	Red	Illuminated Stop Switches (Assembled), ø30 mm, ø 40mm Mushroom Head Style, 24V AC/DC Full Voltage, 2NO Contacts, Push-Pull Function, Red Lens, Red	\$106.00
AYLD3QH220DNUAR	Red	Illuminated Stop Switches (Assembled), ø30 mm, ø 40mm Mushroom Head Style, 120V AC Full Voltage, 2NO Contacts, Push-Pull Function, Amber Lens, Red	\$107.75
AYLD3QH220DNUGR	Red	Illuminated Stop Switches (Assembled), ø30 mm, ø 40mm Mushroom Head Style, 120V AC Full Voltage, 2NO Contacts, Push-Pull Function, Green Lens, Red	\$107.75
AYLD3QH220DNURR	Red	Illuminated Stop Switches (Assembled), ø30 mm, ø 40mm Mushroom Head Style, 120V AC Full Voltage, 2NO Contacts, Push-Pull Function, Red Lens, Red	\$107.75

Controls

IDEC Switches & Pilot Devices

Think Automation and beyond...

ø30mm - TWND Series - Full Size NEMA Pushbuttons

Stop Switches (Assembled)

Illuminated - Full Voltage

Part No.	Button Color	Description	List Price*
AYLD32202DNUAR	Red	Illuminated Stop Switches (Assembled), ø30 mm, ø 40mm Mushroom Head Style, 24V AC/DC Full Voltage, 2NC Contacts, Push-Pull Function, Amber Lens, Red	\$106.00
AYLD32202DNUGR	Red	Illuminated Stop Switches (Assembled), ø30 mm, ø 40mm Mushroom Head Style, 24V AC/DC Full Voltage, 2NC Contacts, Push-Pull Function, Green Lens, Red	\$106.00
AYLD32202DNURR	Red	Illuminated Stop Switches (Assembled), ø30 mm, ø 40mm Mushroom Head Style, 24V AC/DC Full Voltage, 2NC Contacts, Push-Pull Function, Red Lens, Red	\$106.00
AYLD3QH202DNUAR	Red	Illuminated Stop Switches (Assembled), ø30 mm, ø 40mm Mushroom Head Style, 120V AC Full Voltage, 2NC Contacts, Push-Pull Function, Amber Lens, Red	\$107.75
AYLD3QH202DNUGR	Red	Illuminated Stop Switches (Assembled), ø30 mm, ø 40mm Mushroom Head Style, 120V AC Full Voltage, 2NC Contacts, Push-Pull Function, Green Lens, Red	\$107.75
AYLD3QH202DNURR	Red	Illuminated Stop Switches (Assembled), ø30 mm, ø 40mm Mushroom Head Style, 120V AC Full Voltage, 2NC Contacts, Push-Pull Function, Red Lens, Red	\$107.75

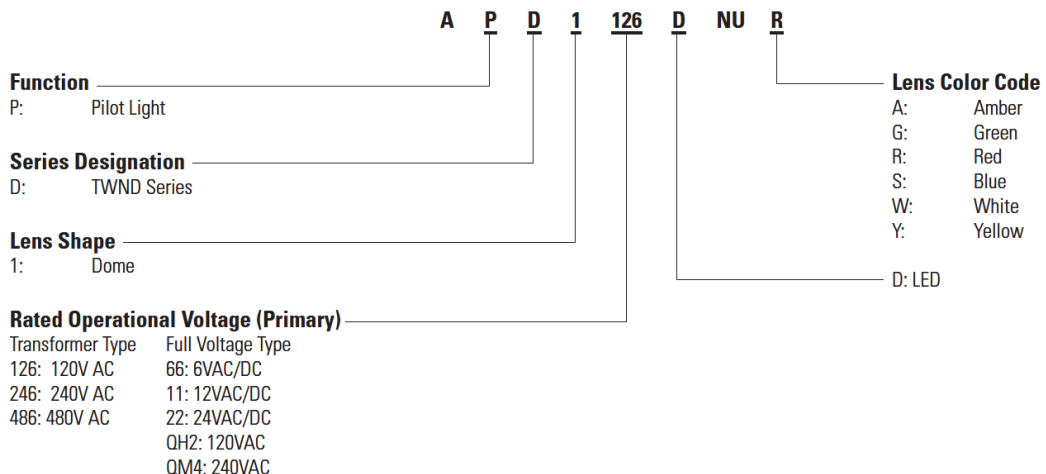
Illuminated - Transformer



Part No.	Button Color	Description	List Price*
AYLD312611DNUAR	Red	Illuminated Stop Switches (Assembled), ø30 mm, ø 40mm Mushroom Head Style, 120VAC Transformer Voltage, 1NO-1NC Contacts, Push-Pull Function, Amber Lens, Red Button	\$127.03
AYLD312611DNUGR	Red	Illuminated Stop Switches (Assembled), ø30 mm, ø 40mm Mushroom Head Style, 120VAC Transformer Voltage, 1NO-1NC Contacts, Push-Pull Function, Green Lens, Red Button	\$127.03
AYLD312611DNURR	Red	Illuminated Stop Switches (Assembled), ø30 mm, ø 40mm Mushroom Head Style, 120VAC Transformer Voltage, 1NO-1NC Contacts, Push-Pull Function, Red Lens, Red Button	\$127.03
AYLD312620DNUAR	Red	Illuminated Stop Switches (Assembled), ø30 mm, ø 40mm Mushroom Head Style, 120VAC Transformer Voltage, 2NO Contacts, Push-Pull Function, Amber Lens, Red Button	\$127.03
AYLD312620DNUGR	Red	Illuminated Stop Switches (Assembled), ø30 mm, ø 40mm Mushroom Head Style, 120VAC Transformer Voltage, 2NO Contacts, Push-Pull Function, Green Lens, Red Button	\$127.03
AYLD312620DNURR	Red	Illuminated Stop Switches (Assembled), ø30 mm, ø 40mm Mushroom Head Style, 120VAC Transformer Voltage, 2NO Contacts, Push-Pull Function, Red Lens, Red Button	\$127.03
AYLD312602DNUAR	Red	Illuminated Stop Switches (Assembled), ø30 mm, ø 40mm Mushroom Head Style, 120VAC Transformer Voltage, 2NC Contacts, Push-Pull Function, Amber Lens, Red Button	\$127.03
AYLD312602DNUGR	Red	Illuminated Stop Switches (Assembled), ø30 mm, ø 40mm Mushroom Head Style, 120VAC Transformer Voltage, 2NC Contacts, Push-Pull Function, Green Lens, Red Button	\$127.03
AYLD312602DNURR	Red	Illuminated Stop Switches (Assembled), ø30 mm, ø 40mm Mushroom Head Style, 120VAC Transformer Voltage, 2NC Contacts, Push-Pull Function, Red Lens, Red Button	\$127.03



Assembled Pilot Lights



IDEC Switches & Pilot Devices

Think Automation and beyond...

ø30mm - TWND Series - Full Size NEMA Pushbuttons

Pilot Lights (Assembled)

LED Pilot Lights - Transformer Dome



Part No.	Description	List Price*
APD1126DNUA	Pilot Lights (Assembled), ø30 mm, Dome Style Lens, 120VAC Transformer Voltage, Amber Lens	\$84.98
APD1126DNUG	Pilot Lights (Assembled), ø30 mm, Dome Style Lens, 120VAC Transformer Voltage, Green Lens	\$84.98
APD1126DNUR	Pilot Lights (Assembled), ø30 mm, Dome Style Lens, 120VAC Transformer Voltage, Red Lens	\$84.98
APD1126DNUS	Pilot Lights (Assembled), ø30 mm, Dome Style Lens, 120VAC Transformer Voltage, Blue Lens	\$96.66
APD1126DNUW	Pilot Lights (Assembled), ø30 mm, Dome Style Lens, 120VAC Transformer Voltage, White Lens	\$84.98
APD1126DNUY	Pilot Lights (Assembled), ø30 mm, Dome Style Lens, 120VAC Transformer Voltage, Yellow Lens	\$84.98
APD1246DNUA	Pilot Lights (Assembled), ø30 mm, Dome Style Lens, 240V AC Transformer Voltage, Amber Lens	\$84.98
APD1246DNUG	Pilot Lights (Assembled), ø30 mm, Dome Style Lens, 240V AC Transformer Voltage, Green Lens	\$84.98
APD1246DNUR	Pilot Lights (Assembled), ø30 mm, Dome Style Lens, 240V AC Transformer Voltage, Red Lens	\$84.98
APD1246DNUS	Pilot Lights (Assembled), ø30 mm, Dome Style Lens, 240V AC Transformer Voltage, Blue Lens	\$84.98
APD1246DNUW	Pilot Lights (Assembled), ø30 mm, Dome Style Lens, 240V AC Transformer Voltage, White Lens	\$84.98
APD1246DNUY	Pilot Lights (Assembled), ø30 mm, Dome Style Lens, 240V AC Transformer Voltage, Yellow Lens	\$84.98
APD1486DNUA	Pilot Lights (Assembled), ø30 mm, Dome Style Lens, 480V AC Transformer Voltage, Amber Lens	\$84.98
APD1486DNUG	Pilot Lights (Assembled), ø30 mm, Dome Style Lens, 480V AC Transformer Voltage, Green Lens	\$84.98
APD1486DNUR	Pilot Lights (Assembled), ø30 mm, Dome Style Lens, 480V AC Transformer Voltage, Red Lens	\$84.98
APD1486DNUS	Pilot Lights (Assembled), ø30 mm, Dome Style Lens, 480V AC Transformer Voltage, Blue Lens	\$96.66
APD1486DNUW	Pilot Lights (Assembled), ø30 mm, Dome Style Lens, 480V AC Transformer Voltage, White Lens	\$84.98
APD1486DNUY	Pilot Lights (Assembled), ø30 mm, Dome Style Lens, 480V AC Transformer Voltage, Yellow Lens	\$84.98

LED Pilot Lights - Full Voltage Dome



Part No.	Description	List Price*
APD166DNUA	Pilot Lights (Assembled), ø30 mm, Dome Style Lens, 6V AC/DC Full Voltage, Amber Lens	\$66.29
APD166DNUG	Pilot Lights (Assembled), ø30 mm, Dome Style Lens, 6V AC/DC Full Voltage, Green Lens	\$66.29
APD166DNUR	Pilot Lights (Assembled), ø30 mm, Dome Style Lens, 6V AC/DC Full Voltage, Red Lens	\$66.29
APD166DNUS	Pilot Lights (Assembled), ø30 mm, Dome Style Lens, 6V AC/DC Full Voltage, Blue Lens	\$66.29
APD166DNUW	Pilot Lights (Assembled), ø30 mm, Dome Style Lens, 6V AC/DC Full Voltage, White Lens	\$66.29
APD166DNUY	Pilot Lights (Assembled), ø30 mm, Dome Style Lens, 6V AC/DC Full Voltage, Yellow Lens	\$66.29
APD111DNUA	Pilot Lights (Assembled), ø30 mm, Dome Style Lens, 12V AC/DC Full Voltage, Amber Lens	\$66.29
APD111DNUG	Pilot Lights (Assembled), ø30 mm, Dome Style Lens, 12V AC/DC Full Voltage, Green Lens	\$66.29
APD111DNUR	Pilot Lights (Assembled), ø30 mm, Dome Style Lens, 12V AC/DC Full Voltage, Red Lens	\$66.29
APD111DNUS	Pilot Lights (Assembled), ø30 mm, Dome Style Lens, 12V AC/DC Full Voltage, Blue Lens	\$66.29
APD111DNUW	Pilot Lights (Assembled), ø30 mm, Dome Style Lens, 12V AC/DC Full Voltage, White Lens	\$66.29
APD111DNUY	Pilot Lights (Assembled), ø30 mm, Dome Style Lens, 12V AC/DC Full Voltage, Yellow Lens	\$66.29
APD122DNUA	Pilot Lights (Assembled), ø30 mm, Dome Style Lens, 24V AC/DC Full Voltage, Amber Lens	\$66.29
APD122DNUG	Pilot Lights (Assembled), ø30 mm, Dome Style Lens, 24V AC/DC Full Voltage, Green Lens	\$66.29
APD122DNUR	Pilot Lights (Assembled), ø30 mm, Dome Style Lens, 24V AC/DC Full Voltage, Red Lens	\$66.29
APD122DNUS	Pilot Lights (Assembled), ø30 mm, Dome Style Lens, 24V AC/DC Full Voltage, Blue Lens	\$66.29
APD122DNUW	Pilot Lights (Assembled), ø30 mm, Dome Style Lens, 24V AC/DC Full Voltage, White Lens	\$66.29
APD122DNUY	Pilot Lights (Assembled), ø30 mm, Dome Style Lens, 24V AC/DC Full Voltage, Yellow Lens	\$66.29
APD1QH2DNUA	Pilot Lights (Assembled), ø30 mm, Dome Style Lens, 120V AC Full Voltage, Amber Lens	\$68.03
APD1QH2DNUG	Pilot Lights (Assembled), ø30 mm, Dome Style Lens, 120V AC Full Voltage, Green Lens	\$68.03
APD1QH2DNUR	Pilot Lights (Assembled), ø30 mm, Dome Style Lens, 120V AC Full Voltage, Red Lens	\$68.03
APD1QH2DNUS	Pilot Lights (Assembled), ø30 mm, Dome Style Lens, 120V AC Full Voltage, Blue Lens	\$68.03
APD1QH2DNUW	Pilot Lights (Assembled), ø30 mm, Dome Style Lens, 120V AC Full Voltage, White Lens	\$68.03
APD1QH2DNUY	Pilot Lights (Assembled), ø30 mm, Dome Style Lens, 120V AC Full Voltage, Yellow Lens	\$68.03
APD1QM4DNUA	Pilot Lights (Assembled), ø30 mm, Dome Style Lens, 240V AC Full Voltage, Amber Lens	\$68.03

Controls

IDEC Switches & Pilot Devices

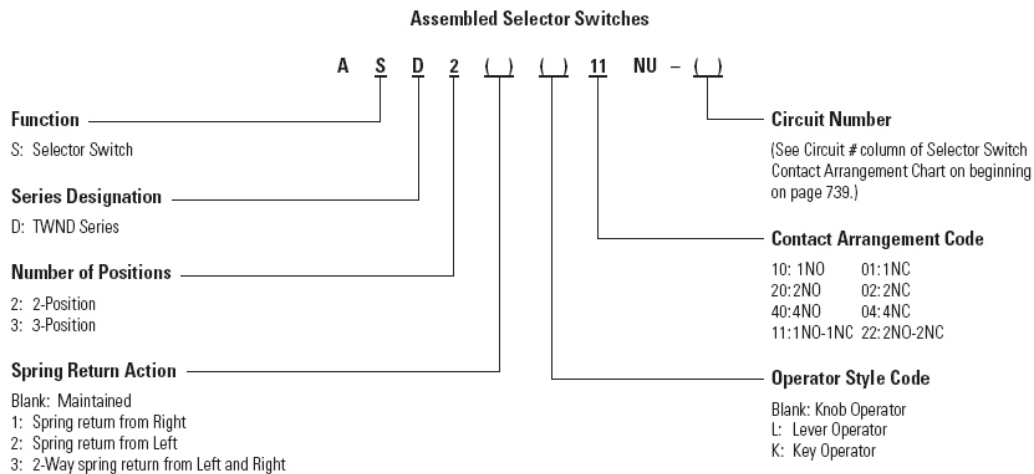
Think Automation and beyond...

ø30mm - TWND Series - Full Size NEMA Pushbuttons

Pilot Lights (Assembled)

LED Pilot Lights - Full Voltage Dome

Part No.	Description	List Price*
APD1QM4DNG	Pilot Lights (Assembled), ø30 mm, Dome Style Lens, 240V AC Full Voltage, Green Lens	0.00
APD1QM4DNR	Pilot Lights (Assembled), ø30 mm, Dome Style Lens, 240V AC Full Voltage, Red Lens	0.00
APD1QM4DNS	Pilot Lights (Assembled), ø30 mm, Dome Style Lens, 240V AC Full Voltage, Blue Lens	0.00
APD1QM4DNW	Pilot Lights (Assembled), ø30 mm, Dome Style Lens, 240V AC Full Voltage, White Lens	0.00
APD1QM4DNY	Pilot Lights (Assembled), ø30 mm, Dome Style Lens, 240V AC Full Voltage, Yellow Lens	0.00



HW Series - ø22mm IEC Style Global Pushbuttons

Non-Illuminated Round Pushbuttons (Assembled)

Round Flush - Plastic Bezel



Part No.	Button Description Color	List Price*
HW1B-M1-B	Black Non-Illuminated Round Pushbuttons (Assembled), 22mm, Plastic Bezel, Momentary Action, Operator Only, Black	\$5.62
HW1B-M1-G	Green Non-Illuminated Round Pushbuttons (Assembled), 22mm, Plastic Bezel, Momentary Action, Operator Only, Green	\$5.62
HW1B-M1-R	Red Non-Illuminated Round Pushbuttons (Assembled), 22mm, Plastic Bezel, Momentary Action, Operator Only, Red	\$5.62
HW1B-M1F10-B	Black Non-Illuminated Round Pushbuttons (Assembled), 22mm, Plastic Bezel, Momentary Action, 1NO Contacts, Black	\$16.98
HW1B-M1F10-G	Green Non-Illuminated Round Pushbuttons (Assembled), 22mm, Plastic Bezel, Momentary Action, 1NO Contacts, Green	\$16.98
HW1B-M1F10-R	Red Non-Illuminated Round Pushbuttons (Assembled), 22mm, Plastic Bezel, Momentary Action, 1NO Contacts, Red	\$16.98
HW1B-M1F01-B	Black Non-Illuminated Round Pushbuttons (Assembled), 22mm, Plastic Bezel, Momentary Action, 1NC Contacts, Black	\$16.98
HW1B-M1F01-G	Green Non-Illuminated Round Pushbuttons (Assembled), 22mm, Plastic Bezel, Momentary Action, 1NC Contacts, Green	\$16.98
HW1B-M1F01-R	Red Non-Illuminated Round Pushbuttons (Assembled), 22mm, Plastic Bezel, Momentary Action, 1NC Contacts, Red	\$16.98
HW1B-M1F11-B	Black Non-Illuminated Round Pushbuttons (Assembled), 22mm, Plastic Bezel, Momentary Action, 1NO-1NC Contacts, Black	\$25.72
HW1B-M1F11-G	Green Non-Illuminated Round Pushbuttons (Assembled), 22mm, Plastic Bezel, Momentary Action, 1NO-1NC Contacts, Green	\$25.72
HW1B-M1F11-R	Red Non-Illuminated Round Pushbuttons (Assembled), 22mm, Plastic Bezel, Momentary Action, 1NO-1NC Contacts, Red	\$25.72
HW1B-M1F20-B	Black Non-Illuminated Round Pushbuttons (Assembled), 22mm, Plastic Bezel, Momentary Action, 2NO Contacts, Black	\$25.72
HW1B-M1F20-G	Green Non-Illuminated Round Pushbuttons (Assembled), 22mm, Plastic Bezel, Momentary Action, 2NO Contacts, Green	\$25.72
HW1B-M1F20-R	Red Non-Illuminated Round Pushbuttons (Assembled), 22mm, Plastic Bezel, Momentary Action, 2NO Contacts, Red	\$25.72
HW1B-M1F02-B	Black Non-Illuminated Round Pushbuttons (Assembled), 22mm, Plastic Bezel, Momentary Action, 2NC Contacts, Black	\$25.72
HW1B-M1F02-G	Green Non-Illuminated Round Pushbuttons (Assembled), 22mm, Plastic Bezel, Momentary Action, 2NC Contacts, Green	\$25.72
HW1B-M1F02-R	Red Non-Illuminated Round Pushbuttons (Assembled), 22mm, Plastic Bezel, Momentary Action, 2NC Contacts, Red	\$25.72

Controls

IDEC Switches & Pilot Devices

Think Automation and beyond...

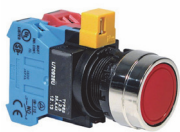
HW Series - ø22mm IEC Style Global Pushbuttons

Non-Illuminated Round Pushbuttons (Assembled)

Round Flush - Plastic Bezel

Part No.	Button Description Color	List Price*
HW1B-M1F22-B	Black Non-Illuminated Round Pushbuttons (Assembled), 22mm, Plastic Bezel, Momentary Action, 2NO-2NC Contacts, Black	\$44.11
HW1B-M1F22-G	Green Non-Illuminated Round Pushbuttons (Assembled), 22mm, Plastic Bezel, Momentary Action, 2NO-2NC Contacts, Green	\$44.11
HW1B-M1F22-R	Red Non-Illuminated Round Pushbuttons (Assembled), 22mm, Plastic Bezel, Momentary Action, 2NO-2NC Contacts, Red	\$44.11
HW1B-A1-B	Black Non-Illuminated Round Pushbuttons (Assembled), 22mm, Plastic Bezel, Maintained Action, Operator Only, Black	\$9.94
HW1B-A1-G	Green Non-Illuminated Round Pushbuttons (Assembled), 22mm, Plastic Bezel, Maintained Action, Operator Only, Green	\$9.94
HW1B-A1-R	Red Non-Illuminated Round Pushbuttons (Assembled), 22mm, Plastic Bezel, Maintained Action, Operator Only, Red	\$9.94
HW1B-A1F10-B	Black Non-Illuminated Round Pushbuttons (Assembled), 22mm, Plastic Bezel, Maintained Action, 1NO Contacts, Black	\$20.45
HW1B-A1F10-G	Green Non-Illuminated Round Pushbuttons (Assembled), 22mm, Plastic Bezel, Maintained Action, 1NO Contacts, Green	\$21.29
HW1B-A1F10-R	Red Non-Illuminated Round Pushbuttons (Assembled), 22mm, Plastic Bezel, Maintained Action, 1NO Contacts, Red	\$21.29
HW1B-A1F01-B	Black Non-Illuminated Round Pushbuttons (Assembled), 22mm, Plastic Bezel, Maintained Action, 1NC Contacts, Black	\$21.29
HW1B-A1F01-G	Green Non-Illuminated Round Pushbuttons (Assembled), 22mm, Plastic Bezel, Maintained Action, 1NC Contacts, Green	\$21.29
HW1B-A1F01-R	Red Non-Illuminated Round Pushbuttons (Assembled), 22mm, Plastic Bezel, Maintained Action, 1NC Contacts, Red	\$21.29
HW1B-A1F11-B	Black Non-Illuminated Round Pushbuttons (Assembled), 22mm, Plastic Bezel, Maintained Action, 1NO-1NC Contacts, Black	\$30.03
HW1B-A1F11-G	Green Non-Illuminated Round Pushbuttons (Assembled), 22mm, Plastic Bezel, Maintained Action, 1NO-1NC Contacts, Green	\$30.03
HW1B-A1F11-R	Red Non-Illuminated Round Pushbuttons (Assembled), 22mm, Plastic Bezel, Maintained Action, 1NO-1NC Contacts, Red	\$30.03
HW1B-A1F20-B	Black Non-Illuminated Round Pushbuttons (Assembled), 22mm, Plastic Bezel, Maintained Action, 2NO Contacts, Black	\$30.03
HW1B-A1F20-G	Green Non-Illuminated Round Pushbuttons (Assembled), 22mm, Plastic Bezel, Maintained Action, 2NO Contacts, Green	\$30.03
HW1B-A1F20-R	Red Non-Illuminated Round Pushbuttons (Assembled), 22mm, Plastic Bezel, Maintained Action, 2NO Contacts, Red	\$30.03
HW1B-A1F02-B	Black Non-Illuminated Round Pushbuttons (Assembled), 22mm, Plastic Bezel, Maintained Action, 2NC Contacts, Black	\$30.03
HW1B-A1F02-G	Green Non-Illuminated Round Pushbuttons (Assembled), 22mm, Plastic Bezel, Maintained Action, 2NC Contacts, Green	\$30.03
HW1B-A1F02-R	Red Non-Illuminated Round Pushbuttons (Assembled), 22mm, Plastic Bezel, Maintained Action, 2NC Contacts, Red	\$30.03
HW1B-A1F22-B	Black Non-Illuminated Round Pushbuttons (Assembled), 22mm, Plastic Bezel, Maintained Action, 2NO-2NC Contacts, Black	\$48.43
HW1B-A1F22-G	Green Non-Illuminated Round Pushbuttons (Assembled), 22mm, Plastic Bezel, Maintained Action, 2NO-2NC Contacts, Green	\$48.43
HW1B-A1F22-R	Red Non-Illuminated Round Pushbuttons (Assembled), 22mm, Plastic Bezel, Maintained Action, 2NO-2NC Contacts, Red	\$48.43

Round Flush - Metal Bezel



Part No.	Button Description Color	List Price*
HW4B-M1-B	Black Non-Illuminated Round Pushbuttons (Assembled), 22mm, Metal Bezel, Momentary Action, Operator Only, Black	\$7.32
HW4B-M1-G	Green Non-Illuminated Round Pushbuttons (Assembled), 22mm, Metal Bezel, Momentary Action, Operator Only, Green	\$7.32
HW4B-M1-R	Red Non-Illuminated Round Pushbuttons (Assembled), 22mm, Metal Bezel, Momentary Action, Operator Only, Red	\$7.32
HW4B-M1F10-B	Black Non-Illuminated Round Pushbuttons (Assembled), 22mm, Metal Bezel, Momentary Action, 1NO Contacts, Black	\$18.67
HW4B-M1F10-G	Green Non-Illuminated Round Pushbuttons (Assembled), 22mm, Metal Bezel, Momentary Action, 1NO Contacts, Green	\$18.67
HW4B-M1F10-R	Red Non-Illuminated Round Pushbuttons (Assembled), 22mm, Metal Bezel, Momentary Action, 1NO Contacts, Red	\$18.67
HW4B-M1F01-B	Black Non-Illuminated Round Pushbuttons (Assembled), 22mm, Metal Bezel, Momentary Action, 1NC Contacts, Black	\$18.67
HW4B-M1F01-G	Green Non-Illuminated Round Pushbuttons (Assembled), 22mm, Metal Bezel, Momentary Action, 1NC Contacts, Green	\$18.67
HW4B-M1F01-R	Red Non-Illuminated Round Pushbuttons (Assembled), 22mm, Metal Bezel, Momentary Action, 1NC Contacts, Red	\$18.67
HW4B-M1F11-B	Black Non-Illuminated Round Pushbuttons (Assembled), 22mm, Metal Bezel, Momentary Action, 1NO-1NC Contacts, Black	\$27.43
HW4B-M1F11-G	Green Non-Illuminated Round Pushbuttons (Assembled), 22mm, Metal Bezel, Momentary Action, 1NO-1NC Contacts, Green	\$27.43
HW4B-M1F11-R	Red Non-Illuminated Round Pushbuttons (Assembled), 22mm, Metal Bezel, Momentary Action, 1NO-1NC Contacts, Red	\$27.43
HW4B-M1F20-B	Black Non-Illuminated Round Pushbuttons (Assembled), 22mm, Metal Bezel, Momentary Action, 2NO Contacts, Black	\$27.43

Controls

IDEC Switches & Pilot Devices

Think Automation and beyond...

HW Series - ø22mm IEC Style Global Pushbuttons

Non-Illuminated Round Pushbuttons (Assembled)

Round Flush - Metal Bezel

Part No.	Button Description Color	List Price*
HW4B-M1F20-G	Green Non-Illuminated Round Pushbuttons (Assembled), 22mm, Metal Bezel, Momentary Action, 2NO Contacts, Green	\$27.43
HW4B-M1F20-R	Red Non-Illuminated Round Pushbuttons (Assembled), 22mm, Metal Bezel, Momentary Action, 2NO Contacts, Red	\$27.43
HW4B-M1F02-B	Black Non-Illuminated Round Pushbuttons (Assembled), 22mm, Metal Bezel, Momentary Action, 2NC Contacts, Black	\$27.43
HW4B-M1F02-G	Green Non-Illuminated Round Pushbuttons (Assembled), 22mm, Metal Bezel, Momentary Action, 2NC Contacts, Green	\$27.43
HW4B-M1F02-R	Red Non-Illuminated Round Pushbuttons (Assembled), 22mm, Metal Bezel, Momentary Action, 2NC Contacts, Red	\$27.43
HW4B-M1F22-B	Black Non-Illuminated Round Pushbuttons (Assembled), 22mm, Metal Bezel, Momentary Action, 2NO-2NC Contacts, Black	\$45.82
HW4B-M1F22-G	Green Non-Illuminated Round Pushbuttons (Assembled), 22mm, Metal Bezel, Momentary Action, 2NO-2NC Contacts, Green	0.00
HW4B-M1F22-R	Red Non-Illuminated Round Pushbuttons (Assembled), 22mm, Metal Bezel, Momentary Action, 2NO-2NC Contacts, Red	\$45.82
HW4B-A1-B	Black Non-Illuminated Round Pushbuttons (Assembled), 22mm, Metal Bezel, Maintained Action, Operator Only, Black	\$11.64
HW4B-A1-G	Green Non-Illuminated Round Pushbuttons (Assembled), 22mm, Metal Bezel, Maintained Action, Operator Only, Green	\$11.64
HW4B-A1-R	Red Non-Illuminated Round Pushbuttons (Assembled), 22mm, Metal Bezel, Maintained Action, Operator Only, Red	\$11.64
HW4B-A1F10-B	Black Non-Illuminated Round Pushbuttons (Assembled), 22mm, Metal Bezel, Maintained Action, 1NO Contacts, Black	\$22.99
HW4B-A1F10-G	Green Non-Illuminated Round Pushbuttons (Assembled), 22mm, Metal Bezel, Maintained Action, 1NO Contacts, Green	\$22.99
HW4B-A1F10-R	Red Non-Illuminated Round Pushbuttons (Assembled), 22mm, Metal Bezel, Maintained Action, 1NO Contacts, Red	\$22.99
HW4B-A1F01-B	Black Non-Illuminated Round Pushbuttons (Assembled), 22mm, Metal Bezel, Maintained Action, 1NC Contacts, Black	\$22.99
HW4B-A1F01-G	Green Non-Illuminated Round Pushbuttons (Assembled), 22mm, Metal Bezel, Maintained Action, 1NC Contacts, Green	\$22.99
HW4B-A1F01-R	Red Non-Illuminated Round Pushbuttons (Assembled), 22mm, Metal Bezel, Maintained Action, 1NC Contacts, Red	\$22.99
HW4B-A1F11-B	Black Non-Illuminated Round Pushbuttons (Assembled), 22mm, Metal Bezel, Maintained Action, 1NO-1NC Contacts, Black	\$31.74
HW4B-A1F11-G	Green Non-Illuminated Round Pushbuttons (Assembled), 22mm, Metal Bezel, Maintained Action, 1NO-1NC Contacts, Green	\$31.74
HW4B-A1F11-R	Red Non-Illuminated Round Pushbuttons (Assembled), 22mm, Metal Bezel, Maintained Action, 1NO-1NC Contacts, Red	\$31.74
HW4B-A1F20-B	Black Non-Illuminated Round Pushbuttons (Assembled), 22mm, Metal Bezel, Maintained Action, 2NO Contacts, Black	\$31.74
HW4B-A1F20-G	Green Non-Illuminated Round Pushbuttons (Assembled), 22mm, Metal Bezel, Maintained Action, 2NO Contacts, Green	\$31.74
HW4B-A1F20-R	Red Non-Illuminated Round Pushbuttons (Assembled), 22mm, Metal Bezel, Maintained Action, 2NO Contacts, Red	\$31.74
HW4B-A1F02-B	Black Non-Illuminated Round Pushbuttons (Assembled), 22mm, Metal Bezel, Maintained Action, 2NC Contacts, Black	\$31.74
HW4B-A1F02-G	Green Non-Illuminated Round Pushbuttons (Assembled), 22mm, Metal Bezel, Maintained Action, 2NC Contacts, Green	\$31.74
HW4B-A1F02-R	Red Non-Illuminated Round Pushbuttons (Assembled), 22mm, Metal Bezel, Maintained Action, 2NC Contacts, Red	\$31.74
HW4B-A1F22-B	Black Non-Illuminated Round Pushbuttons (Assembled), 22mm, Metal Bezel, Maintained Action, 2NO-2NC Contacts, Black	\$50.14
HW4B-A1F22-G	Green Non-Illuminated Round Pushbuttons (Assembled), 22mm, Metal Bezel, Maintained Action, 2NO-2NC Contacts, Green	\$50.14
HW4B-A1F22-R	Red Non-Illuminated Round Pushbuttons (Assembled), 22mm, Metal Bezel, Maintained Action, 2NO-2NC Contacts, Red	\$50.14

Selector Switches 2 & 3 Position (Assembled)

2-Position & 3-Position Selector Switches



Part No.	Description	List Price*
HW1S-2T	2-Position Selector Switch (Assembled), Plastic Bezel, Maintained Action, Operator Only, Knob Handle	\$10.22
HW1S-2L	2-Position Selector Switch (Assembled), Plastic Bezel, Maintained Action, Operator Only, Lever Handle	\$14.48
HW1S-2TF10	2-Position Selector Switch (Assembled), Plastic Bezel, Maintained Action, 1NO Contacts, Knob Handle	\$22.43
HW1S-2LF10	2-Position Selector Switch (Assembled), Plastic Bezel, Maintained Action, 1NO Contacts, Lever Handle	\$22.43
HW1S-2TF11	2-Position Selector Switch (Assembled), Plastic Bezel, Maintained Action, 1NO-1NC Contacts, Knob Handle	\$31.17
HW1S-2LF11	2-Position Selector Switch (Assembled), Plastic Bezel, Maintained Action, 1NO-1NC Contacts, Lever Handle	\$31.17
HW1S-2TF20	2-Position Selector Switch (Assembled), Plastic Bezel, Maintained Action, 2NO Contacts, Knob Handle	\$31.17
HW1S-2LF20	2-Position Selector Switch (Assembled), Plastic Bezel, Maintained Action, 2NO Contacts, Lever Handle	\$31.17
HW1S-2TF22	2-Position Selector Switch (Assembled), Plastic Bezel, Maintained Action, 2NO-2NC Contacts, Knob Handle	\$49.56
HW1S-2LF22	2-Position Selector Switch (Assembled), Plastic Bezel, Maintained Action, 2NO-2NC Contacts, Lever Handle	\$49.56
HW1S-3T*	3-Position Selector Switch (Assembled), Plastic Bezel, Maintained Action, Operator Only, Knob Handle	\$10.22

Controls

IDEC Switches & Pilot Devices

Think Automation and beyond...

HW Series - ø22mm IEC Style Global Pushbuttons

Selector Switches 2 & 3 Position (Assembled)

2-Position & 3-Position Selector Switches

Part No.	Description	List Price*
HW1S-3L	3-Position Selector Switch (Assembled), Plastic Bezel, Maintained Action, Operator Only, Lever Handle	\$14.48
HW1S-3TF11	3-Position Selector Switch (Assembled), Plastic Bezel, Maintained Action, 1NO-1NC Contacts, Knob Handle	\$31.17
HW1S-3LF11	3-Position Selector Switch (Assembled), Plastic Bezel, Maintained Action, 1NO-1NC Contacts, Lever Handle	\$34.58
HW1S-3TF20	3-Position Selector Switch (Assembled), Plastic Bezel, Maintained Action, 2NO Contacts, Knob Handle	\$31.17
HW1S-3LF20	3-Position Selector Switch (Assembled), Plastic Bezel, Maintained Action, 2NO Contacts, Lever Handle	\$34.58
HW1S-3TF02	3-Position Selector Switch (Assembled), Plastic Bezel, Maintained Action, 2NC Contacts, Knob Handle	\$31.17
HW1S-3LF02	3-Position Selector Switch (Assembled), Plastic Bezel, Maintained Action, 2NC Contacts, Lever Handle	\$34.58
HW1S-3JTF21N1	3-Position Selector Switch (Assembled), Plastic Bezel, Maintained Action, 2NO-1NC Contacts, Knob Handle	\$40.83
HW1S-3TF22	3-Position Selector Switch (Assembled), Plastic Bezel, Maintained Action, 2NO-2NC Contacts, Knob Handle	\$49.56
HW1S-3STF22N9	3-Position Selector Switch (Assembled), Plastic Bezel, Maintained Action, 2NO-2NC Contacts, Knob Handle	\$50.14
HW1S-3TF40	3-Position Selector Switch (Assembled), Plastic Bezel, Maintained Action, 4NO Contacts, Knob Handle	\$49.56
HW1S-3STF40N2	3-Position Selector Switch (Assembled), Plastic Bezel, Maintained Action, 4NO Contacts, Knob Handle	\$52.00
HW1S-3TF04	3-Position Selector Switch (Assembled), Plastic Bezel, Maintained Action, 4NC Contacts, Knob Handle	0.00

IDEC Switches

Think Automation and beyond...

EU2B Series: 30mm Hazardous Location Switches

EC2B Series: Hazardous Location Control Stations



IDEC Automation

Think Automation and beyond...

Programmable Logic Controllers

MicroSmart FC6A Plus PLC



Part No.	Description	List Price*
FC6A-D16R1CEE	MicroSmart FC6A Plus Programmable Logic Controller, 24VDC, Relay Output 2A (240V AC-2A, 30V DC-2A), 8 Input, 8 Relay Output	\$475.00
FC6A-D16P1CEE	MicroSmart FC6A Plus Programmable Logic Controller, 24VDC, Transistor Source Output 0.5A, 8 Input, 8 Relay Output	\$475.00
FC6A-D16K1CEE	MicroSmart FC6A Plus Programmable Logic Controller, 24VDC, Transistor Sink Output 0.5A, 8 Input, 8 Relay Output	\$475.00
FC6A-D32P3CEE	MicroSmart FC6A Plus Programmable Logic Controller, 24VDC, Transistor Source Output 0.1A, 16 Input, 16 Relay Output	\$575.00
FC6A-D32K3CEE	MicroSmart FC6A Plus Programmable Logic Controller, 24VDC, Transistor Sink Output 0.1A, 16 Input, 16 Relay Output	\$575.00

Controls

IDEC Automation

Think Automation and beyond...

Operator Interface Touchscreens

Compact Series

Color-TFT



Part No.	Description	List Price*
HG1G-4VT22TF-B	4.3" Display OI Touchscreen, Black, TFT LCD, 12-24VDC, 800 cd/m2 Brightness, 480 x 272 Resolution	\$289.00
HG1G-4VT22TF-S	4.3" Display OI Touchscreen, Silver, TFT LCD, 12-24VDC, 800 cd/m2 Brightness, 480 x 272 Resolution	\$289.00

Basic Series

Monochrome



Part No.	Description	List Price*
HG1F-SB22BF-W	4.6" Display OI Touchscreen, Light Gray, Monochrome Screen, 24V DC, 500 cd/m2 Brightness, RS232 Communication Ports, 300 x 100 Pixels Resolution	\$366.45
HG1F-SB22YF-W	4.6" Display OI Touchscreen, Light Gray, Monochrome Screen, 24V DC, 500 cd/m2 Brightness, RS485 RS422 Communication Ports, 300 x 100 Pixels Resolution	\$366.45
HG1F-SB22BF-B	4.6" Display OI Touchscreen, Black, Monochrome Screen, 24V DC, 500 cd/m2 Brightness, RS232 Communication Ports, 300 x 100 Pixels Resolution	\$366.45
HG1F-SB22YF-B	4.6" Display OI Touchscreen, Black, Monochrome Screen, 24V DC, 500 cd/m2 Brightness, RS422 RS485 Communication Ports, 300 x 100 Pixels Resolution	\$366.45

Enhanced Series

Color-TFT



Part No.	Description	List Price*
HG2G-5TT22TF-W	5.7" Display OI Touchscreen, Light Gray, TFT LCD, 12-24VDC, 500 cd/m2 Brightness, 320 x 240 Resolution	\$750.00
HG2G-5TT22TF-B	5.7" Display OI Touchscreen, Black, TFT LCD, 12-24VDC, 500 cd/m2 Brightness, 320 x 240 Resolution	\$750.00
HG2G-5TT22TF-S	5.7" Display OI Touchscreen, Silver, TFT LCD, 12-24VDC, 500 cd/m2 Brightness, 320 x 240 Resolution	\$750.00

Monochrome



Part No.	Description	List Price*
HG2G-5TN22TF-W	5.7" Display OI Touchscreen, Light Gray, TFT LCD, 12-24VDC, 1100 cd/m2 Brightness, 320 x 240 Resolution	\$650.00
HG2G-5TN22TF-B	5.7" Display OI Touchscreen, Black, TFT LCD, 12-24VDC, 1100 cd/m2 Brightness, 320 x 240 Resolution	\$650.00
HG2G-5TN22TF-S	5.7" Display OI Touchscreen, Silver, TFT LCD, 12-24VDC, 1100 cd/m2 Brightness, 320 x 240 Resolution	\$650.00

High Performance Series

Color-TFT



Part No.	Description	List Price*
HG2G-5FT22TF-W	5.7" Display OI Touchscreen, TFT Screen, Light Gray, 800 cd/m2 Brightness, 640 x 480 Resolution	\$939.75
HG2G-5FT22TF-B	5.7" Display OI Touchscreen, TFT Screen, Black, 800 cd/m2 Brightness, 640 x 480 Resolution	\$939.75
HG2G-5FT22TF-S	5.7" Display OI Touchscreen, TFT Screen, Silver, 800 cd/m2 Brightness, 640 x 480 Resolution	\$939.75
HG3G-8JT22MF-W	8.4" Display OI Touchscreen, TFT Screen, Light Gray, 600 cd/m2 Brightness, 800 x 600 Resolution	\$1,254.75
HG3G-8JT22MF-B	8.4" Display OI Touchscreen, TFT Screen, Black, 600 cd/m2 Brightness, 800 x 600 Resolution	\$1,254.75
HG3G-AJT22MF-W	10.4" Display OI Touchscreen, TFT Screen, Light Gray, 700 cd/m2 Brightness, 800 x 600 Resolution	\$1,674.75
HG3G-AJT22MF-B	10.4" Display OI Touchscreen, TFT Screen, Black, 700 cd/m2 Brightness, 800 x 600 Resolution	\$1,674.75
HG4G-CJT22MF-B	12.1" Display OI Touchscreen, TFT Screen, Black, 550 cd/m2 Brightness, 800 x 600 Resolution	\$1,989.75



Tmax XT ranges

Tmax XT Part number explanation



1,2 - Tmax XT prefix, XT

3 - Frame size	
1	XT1 - to 125A, 600V/347V (UL) - Thermal magnetic protection
2	XT2 - to 125A, 600V (UL) - Thermal magnetic and electronic protection
3	XT3 - to 225A, 600V/347V (UL) - Thermal magnetic protection
4	XT4 - to 250A, 600V (UL) - Thermal magnetic and electronic protection

4 - Breaking Capacity

	XT1	XT2	XT3	XT4
N	18kA @ 600V/347Vac	18kA @ 600Vac	10kA @ 600V/347Vac	18 @ 600Vac
S	22kA @ 600V/347Vac	22kA @ 600Vac	10kA @ 600V/347Vac	22 @ 600Vac
H	25kA @ 600V/347Vac	25kA @ 600Vac	-	25 @ 600Vac
L	-	35kA @ 600Vac	-	50 @ 600Vac
V	-	42kA @ 600Vac	-	65 @ 600Vac
X	-	45kA @ 600Vac	-	100kA @ 600Vac ⁽¹⁾

⁽¹⁾ 100kA up to 150A, 65kA from 175A up to 250A

5 - Standard

U	UL standard version
Q	UL 100% rated version

6 - Number of poles

2	2 poles (XT4N UL version only)
3	3 poles
4	4 poles, 100% neutral

7,8,9 - Nominal current (amperage)

	XT1				XT2					XT3				XT4				
	TMF	Elect.	MCP (MA)	MCS	TMF/TMA ⁽¹⁾	Elect.	MCP (MA)	Elect. LIU	MCS	TMF	MCP (MA)	Elect. LIU	MCS	TMF/TMA ⁽¹⁾	Elect.	MCP (MA)	Elect. LIU	MCS
003	-	-	3A	-	-	-	3A	-	-	-	-	-	-	-	-	-	-	-
007	-	-	7A	-	-	-	7A	-	-	-	-	-	-	-	-	-	-	-
010	-	-	-	-	-	-	10A	-	-	-	-	-	-	-	-	-	-	-
015	15A	-	15A	-	15A	-	15A	-	-	-	-	-	-	-	-	-	-	-
020	20A	-	-	-	20A	-	-	-	-	-	-	-	-	-	-	-	-	-
025	25A	-	-	-	25A	25A	-	25A	-	-	-	-	-	25A	-	25A	-	-
030	30A	-	30A	-	30A	-	30A	-	-	-	-	-	-	30A	-	30A	-	-
035	35A	-	-	-	35A	-	-	-	-	-	-	-	-	35A	-	-	-	-
040	40A	-	-	-	40A	-	-	-	-	-	-	-	-	40A	40A	-	40A	-
045	45A	-	-	-	-	-	-	-	-	-	-	-	-	-	-	-	-	-
050	50A	-	50A	-	50A	-	50A	-	-	-	-	-	-	50A	-	50A	-	-
060	60A	-	-	-	60A	60A	-	60A	-	-	-	-	-	60A	60A	-	60A	-
070	70A	-	70A	-	70A	-	70A	-	-	-	-	-	-	70A	-	-	-	-
080	80A	-	80A	-	80A	-	80A	-	-	-	-	-	-	80A	-	80A	-	-
090	90A	-	-	-	90A	-	-	-	-	-	-	-	-	90A	-	-	-	-
100	100A	-	100A	-	100A	100A	100A	100A	-	-	-	-	-	100A	100A	100A	100A	-
110	110A	-	-	-	110A	-	-	-	-	-	-	-	-	110A	-	110A	-	-
125	125A	-	125A	125A	125A	125A	-	125A	-	-	-	-	-	125A	-	125A	-	-
150	-	-	-	-	-	-	-	-	-	-	-	-	-	150A	150A	150A	150A	-
175	-	-	-	-	-	-	-	-	-	-	-	-	-	175A	-	175A	-	-
200	-	-	-	-	-	-	-	-	-	-	-	-	-	200A	200A	200A	200A	-
225	-	-	-	-	-	-	-	-	-	-	-	-	-	225A	225A	225A	225A	-
250	-	-	-	-	-	-	-	-	-	-	-	-	-	250A	250A	250A	-	250A

⁽¹⁾ XT2 TMF FIXED threshold up to 70A, TMA adjustable for 80A and higher.

⁽²⁾ XT4 2p version with TMF version only, XT4 3p TMF version up to 70A, TMA adjustable for 80A and higher, XT4 4p TMA version only

Tmax XT ranges

Catalog number explanation

10 - Trip unit	
A	Thermal magnetic fixed (TMF)
B	Thermal magnetic adjustable (TMD/TMA)
D	Molded case switch disconnecter (MCS)
E	Ekip LSI/1 (Electronic, LSI/1 protection)
F	Ekip LSI (Electronic, LSI protection)
G	Ekip LSIG (Electronic, LSIG protection)
H	Ekip E-LSIG (Electronic, LSIG plus measurements)
J	Ekip I (Electronic, Instantaneous trip only)
L	Ekip M-LIU (Electronic Motor Protector with integrated overload and phase loss detection)
M	Motor circuit protector (MCP - magnetic only (MA))

11 - Line side termination (top)	
F	F Front terminals, no lugs installed
A	FC Cu Terminals for Cu cables (Saddle Clamps)
B	FC CuAl Terminals for CuAl cables, 14-1/0 AWG, 110A (UL XT2) ⁽¹⁾
G	FC CuAl Terminals for CuAl cables, 14-1/0 AWG, 100A (UL XT3, UL XT4) ⁽²⁾
H	FC CuAl Terminals for CuAl cables, 14-1/0 AWG, 100A, Control Tap Included (UL XT3, UL XT4) ⁽¹⁾⁽²⁾
J	FC CuAl Terminals for CuAl cables, 4 AWG-300 kcmil, 225A (UL XT3, UL XT4) ⁽²⁾
K	FC CuAl Terminals for CuAl cables, 4 AWG-300 kcmil, 225A, Control Tap Included (UL XT3, UL XT4) ⁽¹⁾⁽²⁾
L	FC CuAl Terminals for CuAl Cables, 250-350 kcmil, 250A (UL XT4) ⁽¹⁾⁽²⁾
Z	MC Multi-cable terminals for Cu (6 wire)
1	EF Extended front terminals
2	ES Extended spread terminals
3	FB Terminals for flexible busbar (IEC only)
4	R Rear terminals (IEC only)
5	Panel board Adapter ⁽¹⁾
6	Plug-in kit (Must also use 6 for load side)
7	Withdrawable kit - XT2 & XT4 only (Must also use 7 for the load side)

⁽¹⁾Contact ABB for availability.

⁽²⁾Not available for XT4 X version to 150A.

Note: Additional terminal options are available as loose accessories for IEC versions. Please see the IEC catalog for more details.

12 - Load side termination (bottom)	
F	F Front terminals, no lugs installed
A	FC Cu Terminals for Cu cables (Saddle Clamps)
B	FC CuAl Terminals for CuAl cables, 14-1/0 AWG, 110A (UL XT2) ⁽¹⁾
G	FC CuAl Terminals for CuAl cables, 14-1/0 AWG, 100A (UL XT3, UL XT4) ⁽²⁾
H	FC CuAl Terminals for CuAl cables, 14-1/0 AWG, 100A, Control Tap Included (UL XT3, UL XT4) ⁽¹⁾⁽²⁾
J	FC CuAl Terminals for CuAl cables, 4 AWG-300 kcmil, 225A (UL XT3, UL XT4) ⁽²⁾
K	FC CuAl Terminals for CuAl cables, 4 AWG-300 kcmil, 225A, Control Tap Included (UL XT3, UL XT4) ⁽¹⁾⁽²⁾
L	FC CuAl Terminals for CuAl Cables, 250-350 kcmil, 250A (UL XT4) ⁽¹⁾⁽²⁾
Z	MC Multi-cable terminals for Cu (6 wire)
1	EF Extended front terminals
2	ES Extended spread terminals
3	FB Terminals for flexible busbar (IEC only)
4	R Rear terminals (IEC only)
6	Plug-in kit (Must also use 6 for line side)
7	Withdrawable kit - XT2 & XT4 only (Must also use 7 for the line side)

⁽¹⁾Contact ABB for availability.

⁽²⁾Not available for XT4 X version to 150A.

Note: Additional terminal options are available as loose accessories for IEC versions. Please see the IEC catalog for more details.

Controls

ABB Circuit Breakers

Low Voltage

SACE Tmax XT

XT2 125A TMF - Fixed (F) - 3 poles - Front terminals (F) - 100% rated UL/CSA

Part No.	Description	List Price*
XT2NU3015AFF000XXX	Tmax XT2 Circuit Breaker, 18kA @ 600Vac, 3 Pole, 15A Nominal Current, Thermal Magnetic Trip Unit	\$1,071.00
XT2NU3020AFF000XXX	Tmax XT2 Circuit Breaker, 18kA @ 600Vac, 3 Pole, 20A Nominal Current, Thermal Magnetic Trip Unit	\$1,071.00
XT2NU3025AFF000XXX	Tmax XT2 Circuit Breaker, 18kA @ 600Vac, 3 Pole, 25A Nominal Current, Thermal Magnetic Trip Unit	\$1,071.00
XT2NU3030AFF000XXX	Tmax XT2 Circuit Breaker, 18kA @ 600Vac, 3 Pole, 30A Nominal Current, Thermal Magnetic Trip Unit	\$1,071.00
XT2NU3035AFF000XXX	Tmax XT2 Circuit Breaker, 18kA @ 600Vac, 3 Pole, 35A Nominal Current, Thermal Magnetic Trip Unit	\$1,071.00
XT2NU3040AFF000XXX	Tmax XT2 Circuit Breaker, 18kA @ 600Vac, 3 Pole, 40A Nominal Current, Thermal Magnetic Trip Unit	\$1,071.00
XT2NU3050AFF000XXX	Tmax XT2 Circuit Breaker, 18kA @ 600Vac, 3 Pole, 50A Nominal Current, Thermal Magnetic Trip Unit	\$1,071.00
XT2NU3060AFF000XXX	Tmax XT2 Circuit Breaker, 18kA @ 600Vac, 3 Pole, 60A Nominal Current, Thermal Magnetic Trip Unit	\$1,071.00
XT2NU3070AFF000XXX	Tmax XT2 Circuit Breaker, 18kA @ 600Vac, 3 Pole, 70A Nominal Current, Thermal Magnetic Trip Unit	\$1,071.00
XT2HU3015AFF000XXX	Tmax XT2 Circuit Breaker, 25kA @ 600Vac, 3 Pole, 15A Nominal Current, Thermal Magnetic Trip Unit	\$1,874.00
XT2HU3020AFF000XXX	Tmax XT2 Circuit Breaker, 25kA @ 600Vac, 3 Pole, 20A Nominal Current, Thermal Magnetic Trip Unit	\$1,874.00
XT2HU3025AFF000XXX	Tmax XT2 Circuit Breaker, 25kA @ 600Vac, 3 Pole, 25A Nominal Current, Thermal Magnetic Trip Unit	\$1,874.00
XT2HU3030AFF000XXX	Tmax XT2 Circuit Breaker, 25kA @ 600Vac, 3 Pole, 30A Nominal Current, Thermal Magnetic Trip Unit	\$1,874.00
XT2HU3035AFF000XXX	Tmax XT2 Circuit Breaker, 25kA @ 600Vac, 3 Pole, 35A Nominal Current, Thermal Magnetic Trip Unit	\$1,874.00
XT2HU3040AFF000XXX	Tmax XT2 Circuit Breaker, 25kA @ 600Vac, 3 Pole, 40A Nominal Current, Thermal Magnetic Trip Unit	\$1,874.00
XT2HU3050AFF000XXX	Tmax XT2 Circuit Breaker, 25kA @ 600Vac, 3 Pole, 50A Nominal Current, Thermal Magnetic Trip Unit	\$1,874.00
XT2HU3060AFF000XXX	Tmax XT2 Circuit Breaker, 25kA @ 600Vac, 3 Pole, 60A Nominal Current, Thermal Magnetic Trip Unit	\$1,874.00
XT2HU3070AFF000XXX	Tmax XT2 Circuit Breaker, 25kA @ 600Vac, 3 Pole, 70A Nominal Current, Thermal Magnetic Trip Unit	\$1,874.00

XT2 125A Ekip - Fixed (F) - 3 poles - Front terminals (F) - UL/CSA

Part No.	Description	List Price*
XT2NU3010EFF000XXX	Tmax XT2 Circuit Breaker, 18kA @ 600Vac, 3 Pole, 10A Nominal Current, Ekip LS/I (Electronic, LS/I Protection) Trip Unit	\$1,178.00
XT2NU3025EFF000XXX	Tmax XT2 Circuit Breaker, 18kA @ 600Vac, 3 Pole, 25A Nominal Current, Ekip LS/I (Electronic, LS/I Protection) Trip Unit	\$1,178.00
XT2NU3060EFF000XXX	Tmax XT2 Circuit Breaker, 18kA @ 600Vac, 3 Pole, 60A Nominal Current, Ekip LS/I (Electronic, LS/I Protection) Trip Unit	\$1,178.00
XT2NU3100EFF000XXX	Tmax XT2 Circuit Breaker, 18kA @ 600Vac, 3 Pole, 100A Nominal Current, Ekip LS/I (Electronic, LS/I Protection) Trip Unit	\$1,355.00
XT2NU3125EFF000XXX	Tmax XT2 Circuit Breaker, 18kA @ 600Vac, 3 Pole, 125A Nominal Current, Ekip LS/I (Electronic, LS/I Protection) Trip Unit	\$2,235.00
XT2NU3010FFF000XXX	Tmax XT2 Circuit Breaker, 18kA @ 600Vac, 3 Pole, 10A Nominal Current, Ekip LSI (Electronic, LSI Protection) Trip Unit	\$1,273.00
XT2NU3025FFF000XXX	Tmax XT2 Circuit Breaker, 18kA @ 600Vac, 3 Pole, 25A Nominal Current, Ekip LSI (Electronic, LSI Protection) Trip Unit	\$1,273.00
XT2NU3060FFF000XXX	Tmax XT2 Circuit Breaker, 18kA @ 600Vac, 3 Pole, 60A Nominal Current, Ekip LSI (Electronic, LSI Protection) Trip Unit	\$1,273.00
XT2NU3100FFF000XXX	Tmax XT2 Circuit Breaker, 18kA @ 600Vac, 3 Pole, 100A Nominal Current, Ekip LSI (Electronic, LSI Protection) Trip Unit	\$1,463.00
XT2NU3125FFF000XXX	Tmax XT2 Circuit Breaker, 18kA @ 600Vac, 3 Pole, 125A Nominal Current, Ekip LSI (Electronic, LSI Protection) Trip Unit	\$2,414.00
XT2NU3010GFF000XXX	Tmax XT2 Circuit Breaker, 18kA @ 600Vac, 3 Pole, 10A Nominal Current, Ekip LSIG (Electronic, LSIG Protection) Trip Unit	\$1,527.00
XT2NU3025GFF000XXX	Tmax XT2 Circuit Breaker, 18kA @ 600Vac, 3 Pole, 25A Nominal Current, Ekip LSIG (Electronic, LSIG Protection) Trip Unit	\$1,527.00
XT2NU3060GFF000XXX	Tmax XT2 Circuit Breaker, 18kA @ 600Vac, 3 Pole, 60A Nominal Current, Ekip LSIG (Electronic, LSIG Protection) Trip Unit	\$1,527.00
XT2NU3100GFF000XXX	Tmax XT2 Circuit Breaker, 18kA @ 600Vac, 3 Pole, 100A Nominal Current, Ekip LSIG (Electronic, LSIG Protection) Trip Unit	\$1,756.00
XT2NU3125GFF000XXX	Tmax XT2 Circuit Breaker, 18kA @ 600Vac, 3 Pole, 125A Nominal Current, Ekip LSIG (Electronic, LSIG Protection) Trip Unit	\$2,896.00

XT3 225A TMF - Fixed (F) - 3 poles - Front terminals (F) - UL/CSA

Part No.	Description	List Price*
XT3NU3060AFF000XXX	Tmax XT3 Circuit Breaker, 10kA @ 600Y/347Vac, 3 Pole, 60A Nominal Current, Thermal Magnetic Trip Unit	\$1,164.00
XT3NU3070AFF000XXX	Tmax XT3 Circuit Breaker, 10kA @ 600Y/347Vac, 3 Pole, 70A Nominal Current, Thermal Magnetic Trip Unit	\$1,164.00
XT3NU3080AFF000XXX	Tmax XT3 Circuit Breaker, 10kA @ 600Y/347Vac, 3 Pole, 80A Nominal Current, Thermal Magnetic Trip Unit	\$1,339.00
XT3NU3090AFF000XXX	Tmax XT3 Circuit Breaker, 10kA @ 600Y/347Vac, 3 Pole, 90A Nominal Current, Thermal Magnetic Trip Unit	\$1,339.00
XT3NU3100AFF000XXX	Tmax XT3 Circuit Breaker, 10kA @ 600Y/347Vac, 3 Pole, 100A Nominal Current, Thermal Magnetic Trip Unit	0.00
XT3NU3110AFF000XXX	Tmax XT3 Circuit Breaker, 10kA @ 600Y/347Vac, 3 Pole, 110A Nominal Current, Thermal Magnetic Trip Unit	0.00

Controls

ABB Circuit Breakers

Low Voltage

SACE Tmax XT

XT3 225A TMF - Fixed (F) - 3 poles - Front terminals (F) - UL/CSA.

Part No.	Description	List Price*
XT3NU3125AFF000XXX	Tmax XT3 Circuit Breaker, 10kA @ 600Y/347Vac, 3 Pole, 125A Nominal Current, Thermal Magnetic Trip Unit	\$2,210.00
XT3NU3150AFF000XXX	Tmax XT3 Circuit Breaker, 10kA @ 600Y/347Vac, 3 Pole, 150A Nominal Current, Thermal Magnetic Trip Unit	0.00
XT3NU3175AFF000XXX	Tmax XT3 Circuit Breaker, 10kA @ 600Y/347Vac, 3 Pole, 175A Nominal Current, Thermal Magnetic Trip Unit	0.00
XT3NU3200AFF000XXX	Tmax XT3 Circuit Breaker, 10kA @ 600Y/347Vac, 3 Pole, 200A Nominal Current, Thermal Magnetic Trip Unit	\$2,210.00
XT3NU3225AFF000XXX	Tmax XT3 Circuit Breaker, 10kA @ 600Y/347Vac, 3 Pole, 225A Nominal Current, Thermal Magnetic Trip Unit	0.00

XT4 250A TMF/TMA - Fixed (F) - 3 poles - Front terminals (F) - UL/CSA

Part No.	Description	List Price*
XT4NU3025AFF000XXX	Tmax XT4 Circuit Breaker, 18 @ 600Vac, 3 Pole, 25A Nominal Current, Thermal Magnetic Trip Unit	\$1,941.00
XT4NU3030AFF000XXX	Tmax XT4 Circuit Breaker, 18 @ 600Vac, 3 Pole, 30A Nominal Current, Thermal Magnetic Trip Unit	0.00
XT4NU3035AFF000XXX	Tmax XT4 Circuit Breaker, 18 @ 600Vac, 3 Pole, 35A Nominal Current, Thermal Magnetic Trip Unit	0.00
XT4NU3040AFF000XXX	Tmax XT4 Circuit Breaker, 18 @ 600Vac, 3 Pole, 40A Nominal Current, Thermal Magnetic Trip Unit	0.00
XT4NU3050AFF000XXX	Tmax XT4 Circuit Breaker, 18 @ 600Vac, 3 Pole, 50A Nominal Current, Thermal Magnetic Trip Unit	0.00
XT4NU3060AFF000XXX	Tmax XT4 Circuit Breaker, 18 @ 600Vac, 3 Pole, 60A Nominal Current, Thermal Magnetic Trip Unit	0.00
XT4NU3070AFF000XXX	Tmax XT4 Circuit Breaker, 18 @ 600Vac, 3 Pole, 70A Nominal Current, Thermal Magnetic Trip Unit	0.00
XT4NU3080AFF000XXX	Tmax XT4 Circuit Breaker, 18 @ 600Vac, 3 Pole, 80A Nominal Current, Thermal Magnetic Trip Unit	0.00
XT4NU3090AFF000XXX	Tmax XT4 Circuit Breaker, 18 @ 600Vac, 3 Pole, 90A Nominal Current, Thermal Magnetic Trip Unit	0.00
XT4NU3100AFF000XXX	Tmax XT4 Circuit Breaker, 18 @ 600Vac, 3 Pole, 100A Nominal Current, Thermal Magnetic Trip Unit	0.00
XT4NU3110AFF000XXX	Tmax XT4 Circuit Breaker, 18 @ 600Vac, 3 Pole, 110A Nominal Current, Thermal Magnetic Trip Unit	0.00
XT4NU3125AFF000XXX	Tmax XT4 Circuit Breaker, 18 @ 600Vac, 3 Pole, 125A Nominal Current, Thermal Magnetic Trip Unit	0.00
XT4HU3025AFF000XXX	Tmax XT4 Circuit Breaker, 25 @ 600Vac, 3 Pole, 25A Nominal Current, Thermal Magnetic Trip Unit	0.00
XT4HU3030AFF000XXX	Tmax XT4 Circuit Breaker, 25 @ 600Vac, 3 Pole, 30A Nominal Current, Thermal Magnetic Trip Unit	0.00
XT4HU3035AFF000XXX	Tmax XT4 Circuit Breaker, 25 @ 600Vac, 3 Pole, 35A Nominal Current, Thermal Magnetic Trip Unit	0.00
XT4HU3040AFF000XXX	Tmax XT4 Circuit Breaker, 25 @ 600Vac, 3 Pole, 40A Nominal Current, Thermal Magnetic Trip Unit	0.00
XT4HU3050AFF000XXX	Tmax XT4 Circuit Breaker, 25 @ 600Vac, 3 Pole, 50A Nominal Current, Thermal Magnetic Trip Unit	0.00
XT4HU3060AFF000XXX	Tmax XT4 Circuit Breaker, 25 @ 600Vac, 3 Pole, 60A Nominal Current, Thermal Magnetic Trip Unit	0.00
XT4HU3070AFF000XXX	Tmax XT4 Circuit Breaker, 25 @ 600Vac, 3 Pole, 70A Nominal Current, Thermal Magnetic Trip Unit	0.00
XT4HU3080AFF000XXX	Tmax XT4 Circuit Breaker, 25 @ 600Vac, 3 Pole, 80A Nominal Current, Thermal Magnetic Trip Unit	0.00
XT4HU3090AFF000XXX	Tmax XT4 Circuit Breaker, 25 @ 600Vac, 3 Pole, 90A Nominal Current, Thermal Magnetic Trip Unit	0.00
XT4HU3100AFF000XXX	Tmax XT4 Circuit Breaker, 25 @ 600Vac, 3 Pole, 100A Nominal Current, Thermal Magnetic Trip Unit	0.00
XT4HU3110AFF000XXX	Tmax XT4 Circuit Breaker, 25 @ 600Vac, 3 Pole, 110A Nominal Current, Thermal Magnetic Trip Unit	0.00
XT4HU3125AFF000XXX	Tmax XT4 Circuit Breaker, 25 @ 600Vac, 3 Pole, 125A Nominal Current, Thermal Magnetic Trip Unit	0.00
XT4NU3080BFF000XXX	Tmax XT4 Circuit Breaker, 18 @ 600Vac, 3 Pole, 80A Nominal Current, Thermal Magnetic Adjustable Trip Unit	0.00
XT4NU3090BFF000XXX	Tmax XT4 Circuit Breaker, 18 @ 600Vac, 3 Pole, 90A Nominal Current, Thermal Magnetic Adjustable Trip Unit	0.00
XT4NU3100BFF000XXX	Tmax XT4 Circuit Breaker, 18 @ 600Vac, 3 Pole, 100A Nominal Current, Thermal Magnetic Adjustable Trip Unit	0.00
XT4NU3110BFF000XXX	Tmax XT4 Circuit Breaker, 18 @ 600Vac, 3 Pole, 110A Nominal Current, Thermal Magnetic Adjustable Trip Unit	0.00
XT4NU3125BFF000XXX	Tmax XT4 Circuit Breaker, 18 @ 600Vac, 3 Pole, 125A Nominal Current, Thermal Magnetic Adjustable Trip Unit	0.00
XT4HU3080BFF000XXX	Tmax XT4 Circuit Breaker, 25 @ 600Vac, 3 Pole, 80A Nominal Current, Thermal Magnetic Adjustable Trip Unit	0.00
XT4HU3090BFF000XXX	Tmax XT4 Circuit Breaker, 25 @ 600Vac, 3 Pole, 90A Nominal Current, Thermal Magnetic Adjustable Trip Unit	0.00
XT4HU3100BFF000XXX	Tmax XT4 Circuit Breaker, 25 @ 600Vac, 3 Pole, 100A Nominal Current, Thermal Magnetic Adjustable Trip Unit	0.00
XT4HU3110BFF000XXX	Tmax XT4 Circuit Breaker, 25 @ 600Vac, 3 Pole, 110A Nominal Current, Thermal Magnetic Adjustable Trip Unit	0.00
XT4HU3125BFF000XXX	Tmax XT4 Circuit Breaker, 25 @ 600Vac, 3 Pole, 125A Nominal Current, Thermal Magnetic Adjustable Trip Unit	0.00

Controls

ABB

Circuit Breakers

Miniature Circuit Breakers SU200 M

1 Pole



Part No.	Description	List Price*
SU201M-K1	Miniature Circuit Breakers, SU201M Series K-Char, 1 Pole, 10 kA, 1 A, 50/60/DC Hz, 1.4 W Power Loss, 277 V AC, 48 V DC Max. Operating Voltage	0.00
SU201M-K1,6	Miniature Circuit Breakers, SU201M Series K-Char, 1 Pole, 10 kA, 1.6 A, 50/60/DC Hz, 1.8 W Power Loss, 277 V AC, 48 V DC Max. Operating Voltage	0.00
SU201M-K2	Miniature Circuit Breakers, SU201M Series K-Char, 1 Pole, 10 kA, 2 A, 50/60/DC Hz, 1.8 W Power Loss, 277 V AC, 48 V DC Max. Operating Voltage	0.00
SU201M-K3	Miniature Circuit Breakers, SU201M Series K-Char, 1 Pole, 10 kA, 3 A, 50/60/DC Hz, 1.6 W Power Loss, 277 V AC, 48 V DC Max. Operating Voltage	0.00
SU201M-K4	Miniature Circuit Breakers, SU201M Series K-Char, 1 Pole, 10 kA, 4 A, 50/60/DC Hz, 1.8 W Power Loss, 277 V AC, 48 V DC Max. Operating Voltage	0.00
SU201M-K5	Miniature Circuit Breakers, SU201M Series K-Char, 1 Pole, 10 kA, 5 A, 50/60/DC Hz, 1.3 W Power Loss, 277 V AC, 48 V DC Max. Operating Voltage	0.00
SU201M-K6	Miniature Circuit Breakers, SU201M Series K-Char, 1 Pole, 10 kA, 6 A, 50/60/DC Hz, 2.0 W Power Loss, 277 V AC, 48 V DC Max. Operating Voltage	0.00
SU201M-K8	Miniature Circuit Breakers, SU201M Series K-Char, 1 Pole, 10 kA, 8 A, 50/60/DC Hz, 1.5 W Power Loss, 277 V AC, 48 V DC Max. Operating Voltage	0.00
SU201M-K10	Miniature Circuit Breakers, SU201M Series K-Char, 1 Pole, 10 kA, 10 A, 50/60/DC Hz, 2.1 W Power Loss, 277 V AC, 48 V DC Max. Operating Voltage	0.00
SU201M-K13	Miniature Circuit Breakers, SU201M Series K-Char, 1 Pole, 10 kA, 13 A, 50/60/DC Hz, 2.3 W Power Loss, 277 V AC, 48 V DC Max. Operating Voltage	0.00
SU201M-K15	Miniature Circuit Breakers, SU201M Series K-Char, 1 Pole, 10 kA, 15 A, 50/60/DC Hz, 2.4 W Power Loss, 277 V AC, 48 V DC Max. Operating Voltage	0.00
SU201M-K16	Miniature Circuit Breakers, SU201M Series K-Char, 1 Pole, 10 kA, 16 A, 50/60/DC Hz, 2.5 W Power Loss, 277 V AC, 48 V DC Max. Operating Voltage	0.00
SU201M-K20	Miniature Circuit Breakers, SU201M Series K-Char, 1 Pole, 10 kA, 20 A, 50/60/DC Hz, 2.5 W Power Loss, 277 V AC, 48 V DC Max. Operating Voltage	0.00

2 Poles



Part No.	Description	List Price*
SU202M-K0,2	Miniature Circuit Breakers, SU202M Series K-Char, 2 Poles, 0.2 A, 50/60/DC Hz, 3.4 W Power Loss, 480Y / 277 V AC, 96 V DC Max. Operating Voltage	0.00
SU202M-K0,3	Miniature Circuit Breakers, SU202M Series K-Char, 2 Poles, 0.3 A, 50/60/DC Hz, 3.4 W Power Loss, 480Y / 277 V AC, 96 V DC Max. Operating Voltage	0.00
SU202M-K0,5	Miniature Circuit Breakers, SU202M Series K-Char, 2 Poles, 0.5 A, 50/60/DC Hz, 2.8 W Power Loss, 480Y / 277 V AC, 96 V DC Max. Operating Voltage	\$183.55
SU202M-K0,75	Miniature Circuit Breakers, SU202M Series K-Char, 2 Poles, 0.75 A, 50/60/DC Hz, 2.8 W Power Loss, 480Y / 277 V AC, 96 V DC Max. Operating Voltage	\$183.55
SU202M-K1	Miniature Circuit Breakers, SU202M Series K-Char, 2 Poles, 1 A, 50/60/DC Hz, 2.8 W Power Loss, 480Y / 277 V AC, 96 V DC Max. Operating Voltage	\$183.55
SU202M-K1,6	Miniature Circuit Breakers, SU202M Series K-Char, 2 Poles, 1.6 A, 50/60/DC Hz, 3.6 W Power Loss, 480Y / 277 V AC, 96 V DC Max. Operating Voltage	\$183.55
SU202M-K2	Miniature Circuit Breakers, SU202M Series K-Char, 2 Poles, 2 A, 50/60/DC Hz, 3.6 W Power Loss, 480Y / 277 V AC, 96 V DC Max. Operating Voltage	\$183.55
SU202M-K3	Miniature Circuit Breakers, SU202M Series K-Char, 2 Poles, 3 A, 50/60/DC Hz, 3.2 W Power Loss, 480Y / 277 V AC, 96 V DC Max. Operating Voltage	\$183.55
SU202M-K4	Miniature Circuit Breakers, SU202M Series K-Char, 2 Poles, 4 A, 50/60/DC Hz, 3.6 W Power Loss, 480Y / 277 V AC, 96 V DC Max. Operating Voltage	\$183.55
SU202M-K5	Miniature Circuit Breakers, SU202M Series K-Char, 2 Poles, 5 A, 50/60/DC Hz, 2.6 W Power Loss, 480Y / 277 V AC, 96 V DC Max. Operating Voltage	\$183.55
SU202M-K6	Miniature Circuit Breakers, SU202M Series K-Char, 2 Poles, 6 A, 50/60/DC Hz, 4 W Power Loss, 480Y / 277 V AC, 96 V DC Max. Operating Voltage	\$183.55
SU202M-K8	Miniature Circuit Breakers, SU202M Series K-Char, 2 Poles, 8 A, 50/60/DC Hz, 3 W Power Loss, 480Y / 277 V AC, 96 V DC Max. Operating Voltage	\$183.55
SU202M-K10	Miniature Circuit Breakers, SU202M Series K-Char, 2 Poles, 10 A, 50/60/DC Hz, 4.2 W Power Loss, 480Y / 277 V AC, 96 V DC Max. Operating Voltage	\$183.55

Controls

ABB Circuit Breakers

Miniature Circuit Breakers SU200 M

2 Poles

Part No.	Description	List Price*
SU202M-K13	Miniature Circuit Breakers, SU202M Series K-Char, 2 Poles, 13 A, 50/60/DC Hz, 4.6 W Power Loss, 480Y / 277 V AC, 96 V DC Max. Operating Voltage	\$183.55
SU202M-K15	Miniature Circuit Breakers, SU202M Series K-Char, 2 Poles, 15 A, 50/60/DC Hz, 4.8 W Power Loss, 480Y / 277 V AC, 96 V DC Max. Operating Voltage	\$183.55
SU202M-K16	Miniature Circuit Breakers, SU202M Series K-Char, 2 Poles, 16 A, 50/60/DC Hz, 5 W Power Loss, 480Y / 277 V AC, 96 V DC Max. Operating Voltage	\$183.55
SU202M-K20	Miniature Circuit Breakers, SU202M Series K-Char, 2 Poles, 20 A, 50/60/DC Hz, 5 W Power Loss, 480Y / 277 V AC, 96 V DC Max. Operating Voltage	\$183.55
SU202M-K25	Miniature Circuit Breakers, SU202M Series K-Char, 2 Poles, 25 A, 50/60/DC Hz, 6.4 W Power Loss, 480Y / 277 V AC, 96 V DC Max. Operating Voltage	\$183.55

3 Poles



Part No.	Description	List Price*
SU203M-K0,2	Miniature Circuit Breakers, SU203M Series K-Char, 3 Poles, 0.2 A, 50/60/DC Hz, 5.1 W Power Loss, 480Y / 277 V AC Max. Operating Voltage	\$277.33
SU203M-K0,3	Miniature Circuit Breakers, SU203M Series K-Char, 3 Poles, 0.3 A, 50/60/DC Hz, 5.1 W Power Loss, 480Y / 277 V AC Max. Operating Voltage	\$277.33
SU203M-K0,5	Miniature Circuit Breakers, SU203M Series K-Char, 3 Poles, 0.5 A, 50/60/DC Hz, 4.2 W Power Loss, 480Y / 277 V AC Max. Operating Voltage	\$277.33
SU203M-K0,75	Miniature Circuit Breakers, SU203M Series K-Char, 3 Poles, 0.75 A, 50/60/DC Hz, 4.2 W Power Loss, 480Y / 277 V AC Max. Operating Voltage	\$277.33
SU203M-K1	Miniature Circuit Breakers, SU203M Series K-Char, 3 Poles, 1 A, 50/60/DC Hz, 4.2 W Power Loss, 480Y / 277 V AC Max. Operating Voltage	\$277.33
SU203M-K1,6	Miniature Circuit Breakers, SU203M Series K-Char, 3 Poles, 1.6 A, 50/60/DC Hz, 5.4 W Power Loss, 480Y / 277 V AC Max. Operating Voltage	\$277.33
SU203M-K2	Miniature Circuit Breakers, SU203M Series K-Char, 3 Poles, 2 A, 50/60/DC Hz, 5.4 W Power Loss, 480Y / 277 V AC Max. Operating Voltage	\$277.33
SU203M-K3	Miniature Circuit Breakers, SU203M Series K-Char, 3 Poles, 3 A, 50/60/DC Hz, 4.8 W Power Loss, 480Y / 277 V AC Max. Operating Voltage	\$277.33
SU203M-K4	Miniature Circuit Breakers, SU203M Series K-Char, 3 Poles, 4 A, 50/60/DC Hz, 5.4 W Power Loss, 480Y / 277 V AC Max. Operating Voltage	\$277.33
SU203M-K5	Miniature Circuit Breakers, SU203M Series K-Char, 3 Poles, 5 A, 50/60/DC Hz, 3.9 W Power Loss, 480Y / 277 V AC Max. Operating Voltage	\$277.33
SU203M-K6	Miniature Circuit Breakers, SU203M Series K-Char, 3 Poles, 6 A, 50/60/DC Hz, 6 W Power Loss, 480Y / 277 V AC Max. Operating Voltage	\$277.33
SU203M-K8	Miniature Circuit Breakers, SU203M Series K-Char, 3 Poles, 8 A, 50/60/DC Hz, 4.5 W Power Loss, 480Y / 277 V AC Max. Operating Voltage	\$277.33
SU203M-K10	Miniature Circuit Breakers, SU203M Series K-Char, 3 Poles, 10 A, 50/60/DC Hz, 6.3 W Power Loss, 480Y / 277 V AC Max. Operating Voltage	\$277.33
SU203M-K13	Miniature Circuit Breakers, SU203M Series K-Char, 3 Poles, 13 A, 50/60/DC Hz, 6.9 W Power Loss, 480Y / 277 V AC Max. Operating Voltage	\$277.33
SU203M-K15	Miniature Circuit Breakers, SU203M Series K-Char, 3 Poles, 15 A, 50/60/DC Hz, 7.2 W Power Loss, 480Y / 277 V AC Max. Operating Voltage	\$277.33
SU203M-K16	Miniature Circuit Breakers, SU203M Series K-Char, 3 Poles, 16 A, 50/60/DC Hz, 7.5 W Power Loss, 480Y / 277 V AC Max. Operating Voltage	\$277.33
SU203M-K20	Miniature Circuit Breakers, SU203M Series K-Char, 3 Poles, 20 A, 50/60/DC Hz, 7.5W Power Loss, 480Y / 277 V AC Max. Operating Voltage	\$277.33

ABB Contactors

Low Voltage Across the Line Contactors

3-Pole Block Contactor

AF09 Series



Part No.	Description	List Price*
AF09-30-10-11	Non-Reversing, 3-Pole Block Contactor, 24-60V, 50/60HZ-DC Operated with Screw Terminals, 4 kW 400 V AC-3 Rated Power, 5 hp 480 V 3-Phase Motor Rating	0.00
AF09-30-10-12	Non-Reversing, 3-Pole Block Contactor, 48-130V, 50/60HZ-DC Operated with Screw Terminals, 4 kW 400 V AC-3 Rated Power, 5 hp 480 V 3-Phase Motor Rating	0.00
AF09-30-10-13	Non-Reversing, 3-Pole Block Contactor, 100-250V, 50/60HZ-DC Operated with Screw Terminals, 4 kW 400 V AC-3 Rated Power, 5 hp 480 V 3-Phase Motor Rating	0.00

AF12 Series



Part No.	Description	List Price*
AF12-30-10-11	Non-Reversing, 3-Pole Block Contactor, 24-60V, 50/60HZ-DC Operated with Screw Terminals, 5.5 kW 400 V AC-3 Rated Power, 7.5 hp 480 V 3-Phase Motor Rating	0.00
AF12-30-10-12	Non-Reversing, 3-Pole Block Contactor, 48-130V, 50/60HZ-DC Operated with Screw Terminals, 5.5 kW 400 V AC-3 Rated Power, 7.5 hp 480 V 3-Phase Motor Rating	0.00
AF12-30-10-13	Non-Reversing, 3-Pole Block Contactor, 100-250V, 50/60HZ-DC Operated with Screw Terminals, 5.5 kW 400 V AC-3 Rated Power, 7.5 hp 480 V 3-Phase Motor Rating	0.00

AF16 Series



Part No.	Description	List Price*
AF16-30-10-11	Non-Reversing, 3-Pole Block Contactor, 24-60V, 50/60HZ-DC Operated with Screw Terminals, 7.5 kW 400 V AC-3 Rated Power, 10 hp 480 V 3-Phase Motor Rating	0.00
AF16-30-10-12	Non-Reversing, 3-Pole Block Contactor, 48-130V, 50/60HZ-DC Operated with Screw Terminals, 7.5 kW 400 V AC-3 Rated Power, 10 hp 480 V 3-Phase Motor Rating	0.00
AF16-30-10-13	Non-Reversing, 3-Pole Block Contactor, 100-250V, 50/60HZ-DC Operated with Screw Terminals, 7.5 kW 400 V AC-3 Rated Power, 10 hp 480 V 3-Phase Motor Rating	0.00

AF30 Series



Part No.	Description	List Price*
AF30-30-00-11	Non-Reversing, 3-Pole Block Contactor, 24-60V 50/60HZ 20-60VDC Operated with Screw Terminals, 18.5 kW 690 V Rated Power, 50 A AC-1/33 A AC-3 Rated Operational Current	0.00
AF30-30-00-12	Non-Reversing, 3-Pole Block Contactor, 48-130V 50/60HZ-DC Operated with Screw Terminals, 18.5 kW 690 V Rated Power, 50 A AC-1/33 A AC-3 Rated Operational Current	0.00
AF30-30-00-13	Non-Reversing, 3-Pole Block Contactor, 100-250V 50/60HZ-DC Operated with Screw Terminals, 18.5 kW 690 V Rated Power, 50 A AC-1/33 A AC-3 Rated Operational Current	0.00

AF50 Series



Part No.	Description	List Price*
AF50-30-11-69	Non-Reversing, 3-Pole Block Contactor, 48-130V AC/DC Operated, 80A General Purpose Rating, 50 Motor Load Rating, 1NO/1NC Auxiliary Contacts	\$653.40
AF50-30-11-70	Non-Reversing, 3-Pole Block Contactor, 100-250V AC/DC Operated, 80A General Purpose Rating, 50 Motor Load Rating, 1NO/1NC Auxiliary Contacts	0.00
AF50-30-11-72	Non-Reversing, 3-Pole Block Contactor, 20-60V DC Operated, 80A General Purpose Rating, 50 Motor Load Rating, 1NO/1NC Auxiliary Contacts	0.00

AF75 Series



Part No.	Description	List Price*
AF75-30-11-69	Non-Reversing, 3-Pole Block Contactor, 48-130V AC/DC DC Operated, 105 General Purpose Rating, 80 Motor Load Rating, 1NO/1NC Auxiliary Contacts	0.00
AF75-30-11-70	Non-Reversing, 3-Pole Block Contactor, 100-250V AC/DC Operated, 105 General Purpose Rating, 80 Motor Load Rating, 1NO/1NC Auxiliary Contacts	\$776.82
AF75-30-11-72	Non-Reversing, 3-Pole Block Contactor, 20-60V DC Operated, 105 General Purpose Rating, 80 Motor Load Rating, 1NO/1NC Auxiliary Contacts	0.00

Controls

ABB Contactors

Low Voltage Across the Line Contactors

3-Pole Block Contactor

AF100 Series



Part No.	Description	List Price*
AF110-30-11-69	Non-Reversing, 3-Pole Block Contactor, 48-130V 50/60Hz-DC Operated with Cable Clamp Terminals, 40 kW (1000V) Rated Power, 600 V Max. Operating Voltage, 10 million Mechanical Durability	0.00
AF110-30-11-70	Non-Reversing, 3-Pole Block Contactor, 100-250V 50/60Hz-DC Operated with Cable Clamp Terminals, 40 kW (1000V) Rated Power, 600 V Max. Operating Voltage, 10 million Mechanical Durability	0.00
AF110-30-11-72	Non-Reversing, 3-Pole Block Contactor, 20-60V DC Operated with Cable Clamp Terminals, 40 kW (1000V) Rated Power, 600 V Max. Operating Voltage, 10 million Mechanical Durability	0.00

AF145 Series



Part No.	Description	List Price*
AF145-30-11-69	Non-Reversing, 3-Pole Block Contactor, 48-130V 50/60Hz-DC Operated with Bars Terminals, 110 kW (1000V) Rated Power, 600 V Max. Operating Voltage, 5 million Mechanical Durability	0.00
AF145-30-11-70	Non-Reversing, 3-Pole Block Contactor, 100-250V 50/60Hz-DC Operated with Bars Terminals, 110 kW (1000V) Rated Power, 600 V Max. Operating Voltage, 5 million Mechanical Durability	0.00
AF145-30-11-72	Non-Reversing, 3-Pole Block Contactor, 20-60V DC Operated with Bars Terminals, 110 kW (1000V) Rated Power, 600 V Max. Operating Voltage, 5 million Mechanical Durability	0.00

Front-Mounted Instantaneous Auxiliary Contact Blocks



Part No.	Description	List Price*
CA4-22M	2 NO & 2 NC Auxiliary Contact Block, 24 - 690 V Voltage, 50/60 Hz, Screw Terminal, Front Mounting, For Contactors AF09, AF12 & AF16	0.00
CA4-31M	3 NO & 1 NC Auxiliary Contact Block, 24 - 690 V Voltage, 50/60 Hz, Screw Terminal, Front Mounting, For Contactors AF09, AF12 & AF16	0.00
CA4-22E	2 NO & 2 NC Auxiliary Contact Block, 24 - 690 V Voltage, 50/60 Hz, Screw Terminal, Front Mounting, For Contactors AF09, AF16, AF26, AF30, AF38, AF40, AF52, AF65, AF80 & AF96	0.00
CA4-31E	3 NO & 1 NC Auxiliary Contact Block, 24 - 690 V Voltage, 50/60 Hz, Screw Terminal, Front Mounting, For Contactors AF09, AF16, AF26, AF30, AF38, AF40, AF52, AF65, AF80 & AF96	0.00
CA4-40E	4 NO & 0 NC Auxiliary Contact Block, 24 - 690 V Voltage, 50/60 Hz, Screw Terminal, Front Mounting, For Contactors AF09, AF16, AF26, AF30, AF38, AF40, AF52, AF65, AF80 & AF96	0.00

Side-Mounted Instantaneous Auxiliary Contact Blocks



Part No.	Description	List Price*
CAL4-11	1 NO & 1 NC Auxiliary Contact Block, 24 - 690 V Voltage, 50/60 Hz, Screw Terminal, Side Mounting, For Contactors AF09, AF12, AF16, AF26, AF30, AF38, AF40, AF52, AF65, AF80, AF96 & NF	0.00

Thermal Overload Relay

TF42 Model



Part No.	Description	List Price*
TF42-1.7	Thermal Overload Relay, 3-Pole, 1 NC & 1 NO Auxiliary Contact, 1.3 - 1.7 A Setting Range, 10 Trip Class, IP20, For Contactors AF09, AF12, AF16, AF26, AF30 & AF38	\$66.95
TF42-2.3	Thermal Overload Relay, 3-Pole, 1 NC & 1 NO Auxiliary Contact, 1.7 - 2.3 A Setting Range, 10 Trip Class, IP20, For Contactors AF09, AF12, AF16, AF26, AF30 & AF38	\$66.95
TF42-3.1	Thermal Overload Relay, 3-Pole, 1 NC & 1 NO Auxiliary Contact, 2.3 - 3.1 A Setting Range, 10 Trip Class, IP20, For Contactors AF09, AF12, AF16, AF26, AF30 & AF38	\$66.95
TF42-4.2	Thermal Overload Relay, 3-Pole, 1 NC & 1 NO Auxiliary Contact, 3.1 - 4.2 A Setting Range, 10 Trip Class, IP20, For Contactors AF09, AF12, AF16, AF26, AF30 & AF38	\$66.95
TF42-5.7	Thermal Overload Relay, 3-Pole, 1 NC & 1 NO Auxiliary Contact, 4.2 - 5.7 A Setting Range, 10 Trip Class, IP20, For Contactors AF09, AF12, AF16, AF26, AF30 & AF38	\$66.95

Controls

ABB Contactors

Thermal Overload Relay

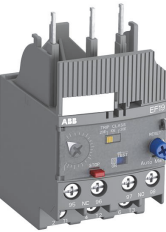
TF42 Model



Part No.	Description	List Price*
TF42-7.6	Thermal Overload Relay, 3-Pole, 1 NC & 1 NO Auxiliary Contact, 5.7 - 7.6 A Setting Range, 10 Trip Class, IP20, For Contactors AF09, AF12, AF16, AF26, AF30 & AF38	\$66.95
TF42-10	Thermal Overload Relay, 3-Pole, 1 NC & 1 NO Auxiliary Contact, 7.6 - 10 A Setting Range, 10 Trip Class, IP20, For Contactors AF09, AF12, AF16, AF26, AF30 & AF38	\$66.95
TF42-13	Thermal Overload Relay, 3-Pole, 1 NC & 1 NO Auxiliary Contact, 10 - 13 A Setting Range, 10 Trip Class, IP20, For Contactors AF09, AF12, AF16, AF26, AF30 & AF38	\$66.95
TF42-16	Thermal Overload Relay, 3-Pole, 1 NC & 1 NO Auxiliary Contact, 13 - 16 A Setting Range, 10 Trip Class, IP20, For Contactors AF09, AF12, AF16, AF26, AF30 & AF38	\$66.95
TF42-20	Thermal Overload Relay, 3-Pole, 1 NC & 1 NO Auxiliary Contact, 16 - 20 A Setting Range, 10 Trip Class, IP20, For Contactors AF09, AF12, AF16, AF26, AF30 & AF38	\$66.95
TF42-24	Thermal Overload Relay, 3-Pole, 1 NC & 1 NO Auxiliary Contact, 20 - 24 A Setting Range, 10 Trip Class, IP20, For Contactors AF09, AF12, AF16, AF26, AF30 & AF38	\$84.46
TF42-29	Thermal Overload Relay, 3-Pole, 1 NC & 1 NO Auxiliary Contact, 24 - 29 A Setting Range, 10 Trip Class, IP20, For Contactors AF09, AF12, AF16, AF26, AF30 & AF38	\$84.46

Electronic Overload Relay

EF19 Model



Part No.	Description	List Price*
EF19-0.32	Electronic Overload Relay, 3-Pole, 1 NC & 1 NO Auxiliary Contact, 0.10 - 0.32 A Setting Range, 10E, 20E & 30E Trip Class, IP20, For Contactors AF09, AF12, AF16 & AF26	0.00
EF19-2.7	Electronic Overload Relay, 3-Pole, 1 NC & 1 NO Auxiliary Contact, 0.80 - 2.7 A Setting Range, 10E, 20E & 30E Trip Class, IP20, For Contactors AF09, AF12, AF16 & AF26	0.00
EF19-6.3	Electronic Overload Relay, 3-Pole, 1 NC & 1 NO Auxiliary Contact, 1.9 - 6.3 A Setting Range, 10E, 20E & 30E Trip Class, IP20, For Contactors AF09, AF12, AF16 & AF26	0.00
EF19-18.9	Electronic Overload Relay, 3-Pole, 1 NC & 1 NO Auxiliary Contact, 5.7 - 18.9 A Setting Range, 10E, 20E & 30E Trip Class, IP20, For Contactors AF09, AF12, AF16 & AF26	0.00

EF45 Model



Part No.	Description	List Price*
EF45-30	Electronic Overload Relay, 3-Pole, 1 NC & 1 NO Auxiliary Contact, 9.0 - 30 A Setting Range, 10E, 20E & 30E Trip Class, IP20, For Contactors AF26, AF30 & AF38	0.00
EF45-45	Electronic Overload Relay, 3-Pole, 1 NC & 1 NO Auxiliary Contact, 15 - 45 A Setting Range, 10E, 20E & 30E Trip Class, IP20, For Contactors AF26, AF30 & AF38	0.00

3-Pole Mini Contactor

Type-B Screw Terminated Non-Reversing Mini Contactor



Part No.	Description	List Price*
B6-30-10-84	Type-B Screw Terminated Mini Contactor, 110-127 V & 50-60Hz, 3-Pole, 0 NC & 1 NO Contact, 3-HP Motor Rating & 4 kW @ 400 V (AC-3)	\$52.53
B6-30-01-84	Type-B Screw Terminated Mini Contactor, 110-127 V & 50-60Hz, 3-Pole, 1 NC & 0 NO Contact, 3-HP Motor Rating & 4 kW @ 400 V (AC-3)	0.00
B7-30-10-84	Type-B Screw Terminated Mini Contactor, 110-127 V & 50-60Hz, 3-Pole, 0 NC & 1 NO Contact, 5-HP Motor Rating & 5.5 kW @ 400 V (AC-3)	0.00
B7-30-01-84	Type-B Screw Terminated Mini Contactor, 110-127 V & 50-60Hz, 3-Pole, 1 NC & 0 NO Contact, 5-HP Motor Rating & 5.5 kW @ 400 V (AC-3)	\$74.26

Controls

ABB

Contactors

3-Pole Mini Contactor

Type-B Screw Terminated Reversing Mechanically Interlocked Mini Contactor



Part No.	Description	List Price*
VB6-30-10-84	Type-B Screw Terminated Mechanically Interlocked Mini Contactor, 110-127 V & 50-60Hz, 3-Pole, 0 NC & 1 NO Contact, 3-HP Motor Rating & 4 kW @ 400 V (AC-3)	\$107.12
VB6-30-01-84	Type-B Screw Terminated Mechanically Interlocked Mini Contactor, 110-127 V & 50-60Hz, 3-Pole, 1 NC & 0 NO Contact, 3-HP Motor Rating & 4 kW @ 400 V (AC-3)	\$107.12
VB7-30-10-84	Type-B Screw Terminated Mechanically Interlocked Mini Contactor, 110-127 V & 50-60Hz, 3-Pole, 0 NC & 1 NO Contact, 5-HP Motor Rating & 5.5 kW @ 400 V (AC-3)	\$147.29
VB7-30-01-84	Type-B Screw Terminated Mechanically Interlocked Mini Contactor, 110-127 V & 50-60Hz, 3-Pole, 1 NC & 0 NO Contact, 5-HP Motor Rating & 5.5 kW @ 400 V (AC-3)	\$147.29

Type-BC Screw Terminated Non-Reversing Mini Contactor



Part No.	Description	List Price*
BC6-30-10-01	Type-BC Screw Terminated Mini Contactor, 24 V DC & 50-60Hz, 3-Pole, 0 NC & 1 NO Contact, 3-HP Motor Rating & 4 kW @ 400 V (AC-3)	0.00
BC6-30-01-01	Type-BC Screw Terminated Mini Contactor, 24 V DC & 50-60Hz, 3-Pole, 1 NC & 0 NO Contact, 3-HP Motor Rating & 4 kW @ 400 V (AC-3)	0.00
BC7-30-10-01	Type-BC Screw Terminated Mini Contactor, 24 V DC & 50-60Hz, 3-Pole, 0 NC & 1 NO Contact, 5-HP Motor Rating & 5.5 kW @ 400 V (AC-3)	0.00
BC7-30-01-01	Type-BC Screw Terminated Mini Contactor, 24 V DC & 50-60Hz, 3-Pole, 1 NC & 0 NO Contact, 5-HP Motor Rating & 5.5 kW @ 400 V (AC-3)	0.00

Type-BC Screw Terminated Reversing Mechanically Interlocked Mini Contactor



Part No.	Description	List Price*
VBC6-30-10-01	Type-BC Screw Terminated Mechanically Interlocked Mini Contactor, 24 V DC & 50-60Hz, 3-Pole, 0 NC & 1 NO Contact, 3-HP Motor Rating & 4 kW @ 400 V (AC-3)	\$108.15
VBC6-30-01-01	Type-BC Screw Terminated Mechanically Interlocked Mini Contactor, 24 V DC & 50-60Hz, 3-Pole, 1 NC & 0 NO Contact, 3-HP Motor Rating & 4 kW @ 400 V (AC-3)	\$108.15
VBC7-30-10-01	Type-BC Screw Terminated Mechanically Interlocked Mini Contactor, 24 V DC & 50-60Hz, 3-Pole, 0 NC & 1 NO Contact, 5-HP Motor Rating & 5.5 kW @ 400 V (AC-3)	\$160.68
VBC7-30-01-01	Type-BC Screw Terminated Mechanically Interlocked Mini Contactor, 24 V DC & 50-60Hz, 3-Pole, 1 NC & 0 NO Contact, 5-HP Motor Rating & 5.5 kW @ 400 V (AC-3)	\$160.68

Power Management

PULS Power Supply

100-240V AC/DC-Converters



Part No.	Description	List Price*
ML15.051	MiniLine DIN Rail Power Supply, 5V DC, 3A, 15W, Screw Clamp Connection Terminals	\$76.00
ML30.101	MiniLine DIN Rail Power Supply, 5V DC, 5A, 25W, Spring Clamp Connection Terminals	\$140.00
ML15.121	MiniLine DIN Rail Power Supply, 12V DC, 1.3A, 15W, Screw Clamp Connection Terminals	\$76.00
ML30.102	MiniLine DIN Rail Power Supply, 12V DC, 3.0A, 30W, Spring Clamp Connection Terminals	\$145.00
ML50.102	MiniLine DIN Rail Power Supply, 12V DC, 4.2A, 50W, Spring Clamp Connection Terminals	\$170.00
ML60.121	MiniLine DIN Rail Power Supply, 12V DC, 4.5A, 54W, Screw Clamp Connection Terminals	\$140.00
ML60.122	MiniLine DIN Rail Power Supply, 12V DC, 4.5A, 54W, Screw Clamp Connection Terminals, -40°C Operation	\$185.00
ML100.102	MiniLine DIN Rail Power Supply, 12V DC, 7.5A, 90W, Spring Clamp Connection Terminals	\$240.00
CP5.121	MiniLine DIN Rail Power Supply, 12V DC, 10A, 120W, Screw Clamp Connection Terminals	Call for Price
QS10.121	MiniLine DIN Rail Power Supply, 12V DC, 15A, 180W, Spring Clamp Connection Terminals	\$450.00
CP10.121	MiniLine DIN Rail Power Supply, 12V DC, 16A, 192W, Screw Clamp Connection Terminals	\$330.00
CP10.122	MiniLine DIN Rail Power Supply, 12V DC, 16A, 192W, Screw Clamp Connection Terminals, With Extended DC Input/Lead Time	0.00
CPS20.121	MiniLine DIN Rail Power Supply, 12V DC, 30A, 360/405W, Screw Clamp Connection Terminals	\$530.00
ML30.106	MiniLine DIN Rail Power Supply, ±12V DC, 2.5A, 36W, Spring Clamp Connection Terminals	\$150.00
ML15.241	MiniLine DIN Rail Power Supply, 24V DC, 0.63A, 15W, Screw Clamp Connection Terminals	\$70.00
ML30.100	MiniLine DIN Rail Power Supply, 24V DC, 1.3A, 30W, Spring Clamp Connection Terminals	\$110.00
ML30.241	MiniLine DIN Rail Power Supply, 24V DC, 1.3A, 30W, Screw Clamp Connection Terminals	\$95.00
ML50.100	MiniLine DIN Rail Power Supply, 24V DC, 2.1A, 50W, Spring Clamp Connection Terminals	\$130.00
ML50.101	MiniLine DIN Rail Power Supply, 24V DC, 2.1A, 50W, Screw/Spring Clamp Connection Terminals	\$170.00
ML50.111	MiniLine DIN Rail Power Supply, 24V DC, 2.1A, 50W, Screw/Spring Clamp Connection Terminals, with Pluggable Screw Clamp, Connected in Parallel with Load Distribution and a Depth of 98mm	\$170.00
ML60.241	MiniLine DIN Rail Power Supply, 24V DC, 2.5A, 60W, Screw Clamp Connection Terminals	\$110.00
ML60.242	MiniLine DIN Rail Power Supply, 24V DC, 2.5A, 60W, Screw Clamp Connection Terminals, -40°C Operation	\$175.00
ML70.100	MiniLine DIN Rail Power Supply, 24V DC, 3A, 72W, Spring Clamp Connection Terminals	\$160.00
CS3.241	MiniLine DIN Rail Power Supply, 24V DC, 3.3A, 80W, Screw Clamp Connection Terminals	\$160.00
QS3.241	MiniLine DIN Rail Power Supply, 24V DC, 3.4A, 80W, Spring Clamp Connection Terminals	\$210.00
QS5.DNET	MiniLine DIN Rail Power Supply, 24V DC, 3.8A, 91.2W, Spring Clamp Connection Terminals	\$350.00
ML95.100	MiniLine DIN Rail Power Supply, 24V DC, 3.9A, 95W, Spring Clamp Connection Terminals	\$225.00
ML100.100	MiniLine DIN Rail Power Supply, 24V DC, 4.2A, 100W, Spring Clamp Connection Terminals	\$180.00
ML100.100	MiniLine DIN Rail Power Supply, 24V DC, 4.2A, 100W, Spring Clamp Connection Terminals, Conformal Coating	\$180.00
CP5.241	MiniLine DIN Rail Power Supply, 24V DC, 24-28V, 20%, Screw/Spring Clamp Connection Terminals	0.00
CP5.241-S1	MiniLine DIN Rail Power Supply, 24V DC, 24-28V, 20%, Spring Clamp Connection Terminals	0.00
CS5.241	MiniLine DIN Rail Power Supply, 24V DC, 5A, 120W, Screw/Spring Clamp Connection Terminals	\$210.00
CS5.241-C1	MiniLine DIN Rail Power Supply, 24V DC, 5A, 120W, Screw/Spring Clamp Connection Terminals, Conformal Coated	\$265.00
CS5.241-S1	MiniLine DIN Rail Power Supply, 24V DC, 5A, 120W, Spring Clamp Connection Terminals	\$250.00
CS5.243	MiniLine DIN Rail Power Supply, 24V DC, 5A, 120W, Screw Clamp Connection Terminals, AC 100-120V	\$200.00
CS5.244	MiniLine DIN Rail Power Supply, 24V DC, 5A, 120W, Screw Clamp Connection Terminals, AC 200-240V	\$200.00
PIC120.241D	MiniLine DIN Rail Power Supply, 24V DC, 5A, 120W, Screw Clamp Connection Terminals	\$150.00
QS5.241	MiniLine DIN Rail Power Supply, 24V DC, 5A, 120W, Spring Clamp Connection Terminals	\$295.00
QS5.241-A1	MiniLine DIN Rail Power Supply, 24V DC, 5A, 120W, Spring Clamp Connection Terminals, Conformal Coating	\$475.00
CP10.241	MiniLine DIN Rail Power Supply, 24V DC, 10A, 240W, Screw/Spring Clamp Connection Terminals	\$280.00
PIC240.241D	MiniLine DIN Rail Power Supply, 24V DC, 10A, 240W, Screw Clamp Connection Terminals	\$225.00
QS10.241	MiniLine DIN Rail Power Supply, 24V DC, 10A, 240W, Spring Clamp Connection Terminals	\$400.00
QS10.241-A1	MiniLine DIN Rail Power Supply, 24V DC, 10A, 240W, Spring Clamp Connection Terminals, Conformal Coating	\$610.00
QS10.241-D1	MiniLine DIN Rail Power Supply, 24V DC, 10A, 240W, Spring Clamp Connection Terminals, with Extended DC-input	\$430.00
CP20.241	MiniLine DIN Rail Power Supply, 24V DC, 20A, 480W, Screw/Spring Clamp Connection Terminals	\$430.00
CP20.241-S1	MiniLine DIN Rail Power Supply, 24V DC, 20A, 480W, Spring Clamp Connection Terminals	0.00
CP20.241-V1	MiniLine DIN Rail Power Supply, 24V DC, 20A, 480W, with Push-in Terminals	0.00
PIC480.241D	MiniLine DIN Rail Power Supply, 24V DC, 20A, 480W, Screw Clamp Connection Terminals	0.00

Power Management

PULS Power Supply

100-240V AC/DC-Converters

Part No.	Description	List Price*
QS20.241	MiniLine DIN Rail Power Supply, 24V DC, 20A, 480W, Spring Clamp Connection Terminals	\$550.00
QS20.241-A1	MiniLine DIN Rail Power Supply, 24V DC, 20A, 480W, Spring Clamp Connection Terminals, Conformal Coating	\$890.00
QS40.241	MiniLine DIN Rail Power Supply, 24V DC, 40A, 960W, Screw Clamp Connection Terminals	\$875.00
QS10.301	MiniLine DIN Rail Power Supply, 30V DC, 8A, 240W, Spring Clamp Connection Terminals	\$475.00
CP10.361	MiniLine DIN Rail Power Supply, 36V DC, 6.7A, 240W, Screw Clamp Connection Terminals	\$330.00
CPS20.361	MiniLine DIN Rail Power Supply, 36V DC, 13.3A, 480W, Screw Clamp Connection Terminals	\$525.00
QS20.361	MiniLine DIN Rail Power Supply, 36V DC, 13.3A, 480W, Spring Clamp Connection Terminals	\$730.00
QS40.361	MiniLine DIN Rail Power Supply, 36V DC, 26.7A, 960W, Screw Clamp Connection Terminals	\$1,100.00
ML50.105	MiniLine DIN Rail Power Supply, 48V DC, 1.05A, 50W, Spring Clamp Connection Terminals	\$155.00
ML100.105	MiniLine DIN Rail Power Supply, 48V DC, 2.1A, 100W, Spring Clamp Connection Terminals	\$230.00
CS10.481	MiniLine DIN Rail Power Supply, 48V DC, 5A, 240W, Screw Clamp Connection Terminals	\$360.00
QS10.481	MiniLine DIN Rail Power Supply, 48V DC, 5A, 240W, Spring Clamp Connection Terminals	\$540.00
QS10.481-D1	MiniLine DIN Rail Power Supply, 48V DC, 5A, 240W, Spring Clamp Connection Terminals, Using Extended DC Input	\$570.00
CP10.481	MiniLine DIN Rail Power Supply, 48V DC, 5.4A, 259W, Screw Clamp Connection Terminals	\$325.00
CP20.481	MiniLine DIN Rail Power Supply, 48V DC, 10A, 480W, Screw Clamp Connection Terminals, 10A/4.5A Input Inrush Current	0.00
CPS20.481	MiniLine DIN Rail Power Supply, 48V DC, 10A, 480W, Screw Clamp Connection Terminals, 9A/7A Input Inrush Current	\$525.00
QS20.481	MiniLine DIN Rail Power Supply, 48V DC, 10A, 480W, Spring Clamp Connection Terminals	\$610.00
QS40.481	MiniLine DIN Rail Power Supply, 48V DC, 20A, 960W, Screw Clamp Connection Terminals	\$1,010.00
CS10.241	MiniLine DIN Rail Power Supply, 24V DC, 10A, 240W, Screw/Spring Clamp Connection Terminals	\$285.00
CP10.242	MiniLine DIN Rail Power Supply, 24V DC, 10A, 240W, Screw/Spring Clamp Connection Terminals, W/Extended DC-input	\$310.00

DC-UPS and Buffer Modules

DC-UPS with Batteries



Part No.	Description	List Price*
UB10.241	DC-UPS with Batteries, 10A, DC 24V, 360W, Spring Connection Terminals, Manual Select Temperature Tracking	\$450.00
UB10.242	DC-UPS with Batteries, 10A, DC 24V, 360W, Spring Connection Terminals, Manual select/Automatically Temperature Tracking	\$460.00
UB10.245	DC-UPS with Batteries, 10A, DC 24V, 360W, Spring Connection Terminals, Manual Select Temperature Tracking	\$525.00
UB20.241	DC-UPS with Batteries, 20A, DC 24V, 600W, Screw Connection Terminals, Automatically with Temp. Sensor Temperature Tracking, With PULS Battery Modules	\$600.00
UBC10.241	DC-UPS with Batteries, 10A, DC 24V, 360W, Spring Connection Terminals, Automatically with Temp. Sensor Temperature Tracking	\$565.00
UBC10.241-N1	DC-UPS with Batteries, 10A, DC 24V, 360W, Spring Connection Terminals, Automatically with Temp. Sensor Temperature Tracking, Battery Not Included	\$490.00

DC-UPS with Capacitor Storage



Part No.	Description	List Price*
UC10.241	DC-UPS with Capacitor Storage, DC 24V, 15A, 6 kW Integrated Storage Element, Max Buffer Current, Spring Connection Terminals	\$800.00
UC10.242	DC-UPS with Capacitor Storage, DC 24V, 15A, 12 kW Integrated Storage Element, Max Buffer Current, Spring Connection Terminals	\$1,200.00

Buffer Modules with Capacitor Storage



Part No.	Description	List Price*
UF20.241	Buffer Modules with Capacitor Storage, DC 24V, 20A, 0.2 kW Integrated Storage Element, Max Buffer Current, Spring Connection Terminals	\$390.00
UF40.241	Buffer Modules with Capacitor Storage, DC 24V, 40A, 0.32 kW Integrated Storage Element, Max Buffer Current, Screw Connection Terminals	\$510.00
UF20.481	Buffer Modules with Capacitor Storage, DC 48V, 20A, 0.2 kW Integrated Storage Element, Max Buffer Current, Spring Connection Terminals	\$390.00

Batteries



Rechargeable Sealed Lead Acid Battery

PS Series

General Purpose Design



Part No.	Description	List Price*
PS-260	PS Series Rechargeable Sealed Lead Acid Battery 2 V, 6.0 A.H. Nominal Capacity, 300 mA Current @20-hr.	\$38.24
PS-445	PS Series Rechargeable Sealed Lead Acid Battery 4 V, 4.5 A.H. Nominal Capacity, 225 mA Current @20-hr.	\$23.86
PS-490	PS Series Rechargeable Sealed Lead Acid Battery 4 V, 9.0 A.H. Nominal Capacity, 450 mA Current @20-hr.	\$37.09
PS-4100	PS Series Rechargeable Sealed Lead Acid Battery 4 V, 10.0 A.H. Nominal Capacity, 500 mA Current @20-hr.	\$40.19
PS-605	PS Series Rechargeable Sealed Lead Acid Battery 6 V, 0.5 A.H. Nominal Capacity, 25 mA Current @20-hr.	\$37.66
PS-610	PS Series Rechargeable Sealed Lead Acid Battery 6 V, 1.1 A.H. Nominal Capacity, 55 mA Current @20-hr.	\$21.79
PS-612	PS Series Rechargeable Sealed Lead Acid Battery 6 V, 1.4 A.H. Nominal Capacity, 70 mA Current @20-hr.	\$16.39
PS-621	PS Series Rechargeable Sealed Lead Acid Battery 6 V, 2.0 A.H. Nominal Capacity, 100 mA Current @20-hr.	\$20.64
PS-628	PS Series Rechargeable Sealed Lead Acid Battery 6 V, 2.9 A.H. Nominal Capacity, 145 mA Current @20-hr.	\$24.73
PS-630	PS Series Rechargeable Sealed Lead Acid Battery 6 V, 3.5 A.H. Nominal Capacity, 175 mA Current @20-hr.	\$22.94
PS-632	PS Series Rechargeable Sealed Lead Acid Battery 6 V, 3.5 A.H. Nominal Capacity, 175 mA Current @20-hr.	\$39.39
PS-640	PS Series Rechargeable Sealed Lead Acid Battery 6 V, 4.5 A.H. Nominal Capacity, 225 mA Current @20-hr.	\$13.74
PS-650LS & LF	PS Series Rechargeable Sealed Lead Acid Battery 6 V, 5.0 A.H. Nominal Capacity, 250 mA Current @20-hr.	\$33.06
PS-665	PS Series Rechargeable Sealed Lead Acid Battery 6 V, 6.5 A.H. Nominal Capacity, 325 mA Current @20-hr.	\$39.39
PS-670	PS Series Rechargeable Sealed Lead Acid Battery 6 V, 7.0 A.H. Nominal Capacity, 350 mA Current @20-hr.	\$23.86
PS-682	PS Series Rechargeable Sealed Lead Acid Battery 6 V, 9.0 A.H. Nominal Capacity, 450 mA Current @20-hr.	\$37.38
PS-6100	PS Series Rechargeable Sealed Lead Acid Battery 6 V, 12.0 A.H. Nominal Capacity, 600 mA Current @20-hr.	\$35.36
PS-6120FP	PS Series Rechargeable Sealed Lead Acid Battery 6 V, 13.0 A.H. Nominal Capacity, 650 mA Current @20-hr.	\$46.58
PS-6200	PS Series Rechargeable Sealed Lead Acid Battery 6 V, 20.0 A.H. Nominal Capacity, 1000 mA Current @20-hr.	\$82.74
PS-6360	PS Series Rechargeable Sealed Lead Acid Battery 6 V, 36.0 A.H. Nominal Capacity, 1800 mA Current @20-hr.	\$113.28
PS-62000	PS Series Rechargeable Sealed Lead Acid Battery 6 V, 210.0 A.H. Nominal Capacity, 10500 mA Current @20-hr.	\$411.70
PS-832	PS Series Rechargeable Sealed Lead Acid Battery 8 V, 3.2 A.H. Nominal Capacity, 160 mA Current @20-hr.	\$45.43
PS-1208	PS Series Rechargeable Sealed Lead Acid Battery 12 V, 0.8 A.H. Nominal Capacity, 40 mA Current @20-hr.	\$40.54
PS-1212	PS Series Rechargeable Sealed Lead Acid Battery 12 V, 1.4 A.H. Nominal Capacity, 70 mA Current @20-hr.	\$27.54
PS-1220	PS Series Rechargeable Sealed Lead Acid Battery 12 V, 2.5 A.H. Nominal Capacity, 125 mA Current @20-hr.	\$34.21
PS-1221S	PS Series Rechargeable Sealed Lead Acid Battery 12 V, 2.0 A.H. Nominal Capacity, 100 mA Current @20-hr.	\$51.18
PS-1223	PS Series Rechargeable Sealed Lead Acid Battery 12 V, 2.3 A.H. Nominal Capacity, 115 mA Current @20-hr.	\$59.23
PS-1227	PS Series Rechargeable Sealed Lead Acid Battery 12 V, 2.9 A.H. Nominal Capacity, 145 mA Current @20-hr.	\$39.39
PS-1228	PS Series Rechargeable Sealed Lead Acid Battery 12 V, 2.8 A.H. Nominal Capacity, 140 mA Current @20-hr.	\$45.43
PS-1229	PS Series Rechargeable Sealed Lead Acid Battery 12 V, 2.9 A.H. Nominal Capacity, 145 mA Current @20-hr.	\$56.93
PS-1230	PS Series Rechargeable Sealed Lead Acid Battery 12 V, 3.4 A.H. Nominal Capacity, 170 mA Current @20-hr.	\$40.54
PS-1238	PS Series Rechargeable Sealed Lead Acid Battery 12 V, 3.8 A.H. Nominal Capacity, 190 mA Current @20-hr.	\$56.06
PS-1250	PS Series Rechargeable Sealed Lead Acid Battery 12 V, 5.0 A.H. Nominal Capacity, 250 mA Current @20-hr.	\$30.19
PS-1270	PS Series Rechargeable Sealed Lead Acid Battery 12 V, 7.0 A.H. Nominal Capacity, 350 mA Current @20-hr.	\$37.89
PS-1278HD	PS Series Rechargeable Sealed Lead Acid Battery 12 V, 7.8 A.H. Nominal Capacity, 390 mA Current @20-hr.	\$48.47
PS-1280	PS Series Rechargeable Sealed Lead Acid Battery 12 V, 8.0 A.H. Nominal Capacity, 400 mA Current @20-hr.	\$45.71
PS-1282L	PS Series Rechargeable Sealed Lead Acid Battery 12 V, 9.0 A.H. Nominal Capacity, 450 mA Current @20-hr.	\$86.54
PS-1282S	PS Series Rechargeable Sealed Lead Acid Battery 12 V, 9.0 A.H. Nominal Capacity, 450 mA Current @20-hr.	\$86.54
PS-1290	PS Series Rechargeable Sealed Lead Acid Battery 12 V, 9.0 A.H. Nominal Capacity, 450 mA Current @20-hr.	\$52.84
PS-12100	PS Series Rechargeable Sealed Lead Acid Battery 12 V, 12.0 A.H. Nominal Capacity, 600 mA Current @20-hr.	\$86.54
PS-12100H	PS Series Rechargeable Sealed Lead Acid Battery 12 V, 10.5 A.H. Nominal Capacity, 525 mA Current @20-hr.	\$54.63
PS-12120	PS Series Rechargeable Sealed Lead Acid Battery 12 V, 12.0 A.H. Nominal Capacity, 600 mA Current @20-hr.	\$60.38
PS-12120L	PS Series Rechargeable Sealed Lead Acid Battery 12 V, 12.0 A.H. Nominal Capacity, 600 mA Current @20-hr.	\$88.84
PS-12140	PS Series Rechargeable Sealed Lead Acid Battery 12 V, 14.0 A.H. Nominal Capacity, 700 mA Current @20-hr.	\$68.14
PS-12180	PS Series Rechargeable Sealed Lead Acid Battery 12 V, 18.0 A.H. Nominal Capacity, 900 mA Current @20-hr.	\$85.68
PS-12180HD-M5	PS Series Rechargeable Sealed Lead Acid Battery 12 V, 18.0 A.H. Nominal Capacity, 900 mA Current @20-hr.	\$94.88
PS-12200	PS Series Rechargeable Sealed Lead Acid Battery 12 V, 20.0 A.H. Nominal Capacity, 1000 mA Current @20-hr.	\$97.69
PS-12200HD-M6	PS Series Rechargeable Sealed Lead Acid Battery 12 V, 21.0 A.H. Nominal Capacity, 1060 mA Current @20-hr.	\$201.55

Batteries



Rechargeable Sealed Lead Acid Battery

PS Series

General Purpose Design

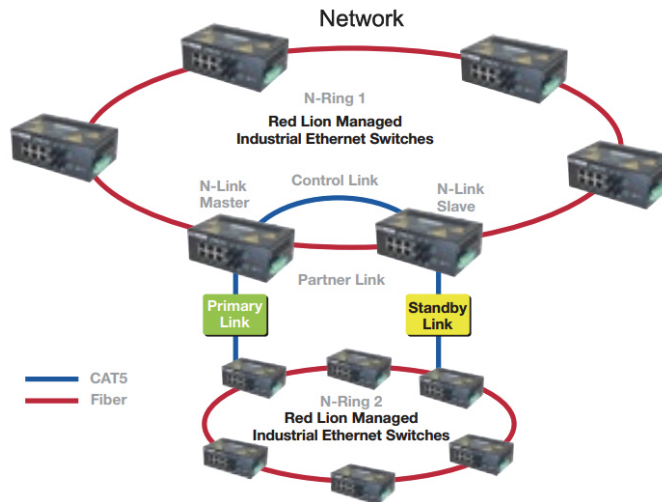
Part No.	Description	List Price*
PS-12260	PS Series Rechargeable Sealed Lead Acid Battery 12 V, 26.0 A.H. Nominal Capacity, 1300 mA Current @20-hr.	\$124.14
PS-12280	PS Series Rechargeable Sealed Lead Acid Battery 12 V, 28.0 A.H. Nominal Capacity, 1400 mA Current @20-hr.	\$154.68
PS-12330	PS Series Rechargeable Sealed Lead Acid Battery 12 V, 33.0 A.H. Nominal Capacity, 1650 mA Current @20-hr.	\$118.16
PS-12350	PS Series Rechargeable Sealed Lead Acid Battery 12 V, 35.0 A.H. Nominal Capacity, 1750 mA Current @20-hr.	\$125.06
PS-12400	PS Series Rechargeable Sealed Lead Acid Battery 12 V, 40.0 A.H. Nominal Capacity, 2000 mA Current @20-hr.	\$168.76
PS-12550	PS Series Rechargeable Sealed Lead Acid Battery 12 V, 55.0 A.H. Nominal Capacity, 2750 mA Current @20-hr.	\$225.40
PS-12750	PS Series Rechargeable Sealed Lead Acid Battery 12 V, 75.0 A.H. Nominal Capacity, 3750 mA Current @20-hr.	\$293.25
PS-121000	PS Series Rechargeable Sealed Lead Acid Battery 12 V, 100.0 A.H. Nominal Capacity, 5000 mA Current @20-hr.	\$345.00
PS-121100	PS Series Rechargeable Sealed Lead Acid Battery 12 V, 110.0 A.H. Nominal Capacity, 5500 mA Current @20-hr.	\$396.75
PS-121400FR*	PS Series Rechargeable Sealed Lead Acid Battery 12 V, 140.0 A.H. Nominal Capacity, 7000 mA Current @20-hr.	\$603.75
PS-122500	PS Series Rechargeable Sealed Lead Acid Battery 12 V, 260.0 A.H. Nominal Capacity, 13000 mA Current @20-hr.	\$999.35

Industrial Networking Switches

red lion® Ethernet Switches Managed & Unmanaged

Managed Ethernet Switches

Managed Ethernet Switch Comparison



NT24k Modular Managed Gigabit Ethernet Switches



Part No.	Description	List Price*
NT24k-AC1-DC1	NT24k Modular Managed Gigabit Ethernet Switch, Single 90-264VAC/ 90-300VDC & 18-49VDC, Up to 24 Ports, -40° to 85°C Operating Temperature	\$3,080.00

Compact NT24k Managed Switches



Part No.	Description	List Price*
NT24k-10GX2	Compact NT24k Managed Switch with DIN-Rail Mount, 10 Ports, -40° to 85°C Operating Temperature	0.00

700 Managed Ethernet Switches



Part No.	Description	List Price*
708FX2	700 Managed Ethernet Switch with DIN-Rail Mount, 8 Ports, -40° to 85°C Operating Temperature	0.00

7000 Managed Ethernet Switches



Part No.	Description	List Price*
7012FX2	7000 Managed Ethernet Switch with DIN-Rail Mount, 12 Ports, -40° to 70°C Operating Temperature	0.00

Industrial Networking Switches

red ion® Ethernet Switches Managed & Unmanaged

Managed Ethernet Switches

SLX Managed Ethernet Switches



Part No.	Description	List Price*
SLX-8MG-1 (All Gigabit)	SLX Managed Ethernet Switch with DIN-Rail Mount, 8 Ports, -40° to 75°C Operating Temperature	\$1,505.00
SLX-16MS-1	SLX Managed Ethernet Switch with DIN-Rail Mount, 16 Ports, -40° to 75°C Operating Temperature	\$1,343.00
SLX-18MG-1	SLX Managed Ethernet Switch with DIN-Rail Mount, 18 Ports, -40° to 75°C Operating Temperature	\$1,721.00

Unmanaged Ethernet Switches

100 Unmanaged Fast Ethernet Switches



Part No.	Description	List Price*
102MC	100 Unmanaged Fast Ethernet Switch with DIN-Rail Mount, 2 Ports, -40° to 80°C Operating Temperature	0.00
105TX	100 Unmanaged Fast Ethernet Switch with DIN-Rail Mount, 5 Ports, -40° to 80°C Operating Temperature	\$119.00

red ion® POE Injectors

Industrial gigabit ethernet POE, injector

Part No.	Description	List Price*
1000-POE+	Industrial gigabit ethernet POE+ injector	\$349.95

Electrical Enclosures

STAHLIN Fiberglass Junction Boxes & Back Panels

Fiberglass Enclosures J Series



The Stahlin J Series product line was developed as an industrial enclosure for harsh, aggressive environments. Originally developed as an electrical junction box for the oil refining and petrochem industries, the J series has evolved over the years into a versatile industrial enclosure with varied applications for use from high-end electronics to extreme corrosive applications both indoors and out. Rugged design combined with tough, durable materials, for extreme reliability in tough environments are key attributes of this series.

- Over 180 configurations available in 17 sizes
- Size range from 6" x 4" to 30" x 24"
- Opaque, raised, flush-bonded window, and clear cover options available
- 5 cover securement methods available
- Integrally molded mounting
- Rated Type 1, 3, 3R, 4X, 6P, 12
- cULus/CSA/IEC Approved

Opaque Cover

HPL - Hinged, Padlock Latch



Part No.	Description	List Price*
J604HPL	Opaque Cover HPL Configuration - Hinged, Padlock Latch, 7.47 x 5.45 x 4.70 Overall Size, Glacier Grey Color	\$127.53
J606HPL	Opaque Cover HPL Configuration - Hinged, Padlock Latch, 7.50 x 7.53 x 4.82 Overall Size, Glacier Grey Color	\$132.34
J806HPL	Opaque Cover HPL Configuration - Hinged, Padlock Latch, 9.63 x 7.52 x 4.70 Overall Size, Glacier Grey Color	\$134.05
J808HPL	Opaque Cover HPL Configuration - Hinged, Padlock Latch, 9.56 x 9.38 x 4.87 Overall Size, Glacier Grey Color	\$140.12
J1008HPL	Opaque Cover HPL Configuration - Hinged, Padlock Latch, 11.63 x 9.41 x 4.22 Overall Size, Glacier Grey Color	\$145.73
J100806HPL	Opaque Cover HPL Configuration - Hinged, Padlock Latch, 11.97 x 9.42 x 6.50 Overall Size, Glacier Grey Color	\$154.32
J1210HPL	Opaque Cover HPL Configuration - Hinged, Padlock Latch, 13.56 x 11.43 x 5.22 Overall Size, Glacier Grey Color	\$166.56
J1212HPL	Opaque Cover HPL Configuration - Hinged, Padlock Latch, 13.56 x 13.38 x 6.34 Overall Size, Glacier Grey Color	\$193.21
J1407HPL	Opaque Cover HPL Configuration - Hinged, Padlock Latch, 15.87 x 8.75 x 6.81 Overall Size, Glacier Grey Color	\$222.23
J1412HPL	Opaque Cover HPL Configuration - Hinged, Padlock Latch, 15.50 x 13.48 x 6.20 Overall Size, Glacier Grey Color	\$210.67
J1614HPL	Opaque Cover HPL Configuration - Hinged, Padlock Latch, 17.53 x 15.46 x 6.21 Overall Size, Glacier Grey Color	\$228.80
J1816HPL	Opaque Cover HPL Configuration - Hinged, Padlock Latch, 19.63 x 17.61 x 8.81 Overall Size, Glacier Grey Color	\$297.39
J2016HPL	Opaque Cover HPL Configuration - Hinged, Padlock Latch, 22.00 x 17.68 x 8.81 Overall Size, Glacier Grey Color	\$471.25
J2020HPL	Opaque Cover HPL Configuration - Hinged, Padlock Latch, 23.50 x 22.12 x 11.70 Overall Size, Glacier Grey Color	\$591.89
J2420HPL	Opaque Cover HPL Configuration - Hinged, Padlock Latch, 23.50 x 22.12 x 11.70 Overall Size, Glacier Grey Color	\$710.28
J2424HPL	Opaque Cover HPL Configuration - Hinged, Padlock Latch, 27.50 x 26.12 x 11.70 Overall Size, Glacier Grey Color	\$852.33

Electrical Enclosures

STAHLIN A BRAND OF ROBROY ENCLOSURES **Fiberglass Junction Boxes & Back Panels**

Fiberglass Enclosures J Series

Opaque Cover

3PT - Hinged, 3 Point Handle Latch



Part No.	Description	List Price*
J20203PT	Opaque Cover 3PT Configuration - Hinged, 3 Point Handle Latch, 23.50 x 22.12 x 11.70 Overall Size, Glacier Grey Color	\$891.36
J24203PT	Opaque Cover 3PT Configuration - Hinged, 3 Point Handle Latch, 27.50 x 22.12 x 11.70 Overall Size, Glacier Grey Color	\$1,009.74
J24243PT	Opaque Cover 3PT Configuration - Hinged, 3 Point Handle Latch, 27.50 x 26.12 x 11.70 Overall Size, Glacier Grey Color	\$1,151.79

General Accessories

Back Panels



Part No.	Description	List Price*
BP64	Back Panel 4.88 x 2.88, 4 Holes, 0.25 Dia.	0.00
BP66	Back Panel 4.88 x 4.88, 4 Holes, 0.25 Dia.	0.00
BP86	Back Panel 6.88 x 4.88, 4 Holes, 0.25 Dia.	0.00
BP88	Back Panel 6.88 x 6.88, 4 Holes, 0.25 Dia.	0.00
BP108	Back Panel 8.88 x 6.88, 4 Holes, 0.25 Dia.	0.00
BP1210	Back Panel 10.88 x 8.88, 4 Holes, 0.25 Dia.	0.00
BP1212	Back Panel 10.88 x 10.88, 4 Holes, 0.25 Dia.	0.00
BP1407	Back Panel 12.88 x 5.88, 4 Holes, 0.25 Dia.	\$28.10
BP1412	Back Panel 12.88 x 10.88, 4 Holes, 0.25 Dia.	0.00
BP1614	Back Panel 14.88 x 12.88, 4 Holes, 0.25 Dia.	0.00
BP1816	Back Panel 16.88 x 14.88, 4 Holes, 0.25 Dia.	0.00
BPJ2016	Back Panel 18.88 x 14.88, 4 Holes, 0.25 Dia.	0.00

Electrical Enclosures

Carbon Steel & Stainless Steel Wall Mount Enclosures & Back Panels



WM Wallmount Enclosures

Carbon Steel, Single Door - UL/cUL Type 12, 3R, 4



Part No.	Height	Description	List Price*
WM121206NC	12"	Wallmount Enclosure, Carbon Steel, Light Grey, 12" Height, 12" Width, 6" Depth, Non-Disconnect, NEMA 4	\$192.15
WM161606NC	16"	Wallmount Enclosure, Carbon Steel, Light Grey, 16" Height, 16" Width, 6" Depth, Non-Disconnect, NEMA 4	\$224.15
WM161608NC	16"	Wallmount Enclosure, Carbon Steel, Light Grey, 16" Height, 16" Width, 8" Depth, Non-Disconnect, NEMA 4	\$247.20
WM201606NC	20"	Wallmount Enclosure, Carbon Steel, Light Grey, 20" Height, 16" Width, 6" Depth, Non-Disconnect, NEMA 4	\$242.15
WM201608NC	20"	Wallmount Enclosure, Carbon Steel, Light Grey, 20" Height, 16" Width, 8" Depth, Non-Disconnect, NEMA 4	\$254.20
WM242008NC	24"	Wallmount Enclosure, Carbon Steel, Light Grey, 24" Height, 20" Width, 8" Depth, Non-Disconnect, NEMA 4	\$304.20
WM242410NC	24"	Wallmount Enclosure, Carbon Steel, Light Grey, 24" Height, 24" Width, 10" Depth, Non-Disconnect, NEMA 4	\$334.25
WM423610NC	42"	Wallmount Enclosure, Carbon Steel, Light Grey, 42" Height, 36" Width, 10" Depth, Non-Disconnect, NEMA 4	\$689.25

WM Stainless Steel Enclosures

Stainless Steel UL Type 12, 3R, 4, 4x Single Door - Type 304, 316L



Part No.	Height	Description	List Price*
WM121206N4	12"	Wallmount Single Door Enclosure, 12" Height, 12" Width, 6" Depth, 304 Stainless Steel	\$471.15
WM161606N4	16"	Wallmount Single Door Enclosure, 16" Height, 16" Width, 6" Depth, 304 Stainless Steel	\$581.15
WM201606N4	20"	Wallmount Single Door Enclosure, 20" Height, 16" Width, 6" Depth, 304 Stainless Steel	\$631.15
WM202006N4	20"	Wallmount Single Door Enclosure, 20" Height, 20" Width, 6" Depth, 304 Stainless Steel	\$681.15
WM201608N4	20"	Wallmount Single Door Enclosure, 20" Height, 16" Width, 8" Depth, 304 Stainless Steel	\$668.20
WM202008N4	20"	Wallmount Single Door Enclosure, 20" Height, 20" Width, 8" Depth, 304 Stainless Steel	\$688.20
WM242008N4	24"	Wallmount Single Door Enclosure, 24" Height, 20" Width, 8" Depth, 304 Stainless Steel	\$863.20
WM242408N4	24"	Wallmount Single Door Enclosure, 24" Height, 24" Width, 8" Depth, 304 Stainless Steel	\$898.20
WM362408N4	36"	Wallmount Single Door Enclosure, 36" Height, 24" Width, 8" Depth, 304 Stainless Steel	\$1,333.20
WM302410N4	30"	Wallmount Single Door Enclosure, 30" Height, 24" Width, 10" Depth, 304 Stainless Steel	\$1,132.25
WM363010N4	36"	Wallmount Single Door Enclosure, 36" Height, 30" Width, 10" Depth, 304 Stainless Steel	\$1,672.25
WM423612N4	42"	Wallmount Single Door Enclosure, 42" Height, 36" Width, 12" Depth, 304 Stainless Steel	\$2,060.30
WM483612N4	48"	Wallmount Single Door Enclosure, 48" Height, 36" Width, 12" Depth, 304 Stainless Steel	\$2,300.30

Accessories

Mounting Panel

Part No.	Height	Description	List Price*
WMMP1212	12"	12" x 12" Mounting Panel, Zinc-Plated Carbon Steel	0.00
WMMP2016	20"	20" x 16" Mounting Panel, Zinc-Plated Carbon Steel	0.00
WMMP2020	20"	20" x 20" Mounting Panel, Zinc-Plated Carbon Steel	0.00
WMMP2016	20"	20" x 16" Mounting Panel, Zinc-Plated Carbon Steel	0.00
WMMP2020	20"	20" x 20" Mounting Panel, Zinc-Plated Carbon Steel	0.00
WMMP2420	24"	24" x 20" Mounting Panel, Zinc-Plated Carbon Steel	0.00
WMMP2424	24"	24" x 24" Mounting Panel, Zinc-Plated Carbon Steel	0.00
WMMP3624	36"	36" x 24" Mounting Panel, Zinc-Plated Carbon Steel	0.00
WMMP3024	30"	30" x 24" Mounting Panel, Zinc-Plated Carbon Steel	0.00
WMMP3630	36"	36" x 30" Mounting Panel, Zinc-Plated Carbon Steel	0.00
WMMP4236	42"	42" x 36" Mounting Panel, Zinc-Plated Carbon Steel	0.00
WMMP4836	48"	48" x 36" Mounting Panel, Zinc-Plated Carbon Steel	0.00

Controls



Variable Frequency Drives & Soft Starters

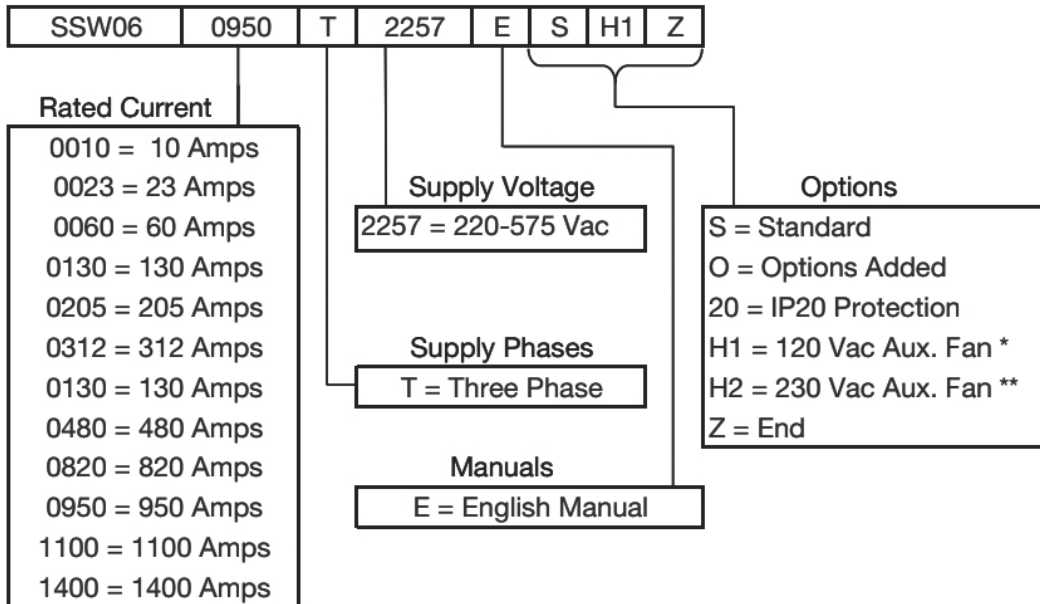
Automation Drives & Controls



Soft Starters

SSW06

SSW06 Catalog Number Sequence



* Aux. Cooling Fan requires separate 120 Vac control power
 ** Aux. Cooling Fan requires separate 230 Vac control power
 Table intended as reference only and not to create part number.

Controls



Variable Frequency Drives & Soft Starters

Automation Drives & Controls

Soft Starters

SSW06 - Protected Chassis Enclosure

Input Power Supply: Three-Phase 230 Vac



Part No.	Description	List Price*
SSW060010T2257ESZ	Soft-Starter, 3 Motor HP, 10 Starter Amps, 230 Vac, Three-Phase	\$1,386
SSW060016T2257ESZ	Soft-Starter, 5 Motor HP, 16 Starter Amps, 230 Vac, Three-Phase	\$1,429
SSW060023T2257ESZ	Soft-Starter, 7.5 Motor HP, 23 Starter Amps, 230 Vac, Three-Phase	\$1,572
SSW060030T2257ESZ	Soft-Starter, 10 Motor HP, 30 Starter Amps, 230 Vac, Three-Phase	\$1,703
SSW060045T2257ESZ	Soft-Starter, 15 Motor HP, 45 Starter Amps, 230 Vac, Three-Phase	\$1,976
SSW060060T2257ESZ	Soft-Starter, 20 Motor HP, 60 Starter Amps, 230 Vac, Three-Phase	\$2,181
SSW060085T2257ESZ	Soft-Starter, 25 / 30 Motor HP, 85 Starter Amps, 230 Vac, Three-Phase	\$2,771
SSW060130T2257ESZ	Soft-Starter, 50 Motor HP, 130 Starter Amps, 230 Vac, Three-Phase	\$3,547
SSW060170T2257ESZ	Soft-Starter, 60 Motor HP, 170 Starter Amps, 230 Vac, Three-Phase	\$4,270
SSW060205T2257ESZ	Soft-Starter, 75 Motor HP, 205 Starter Amps, 230 Vac, Three-Phase	\$5,354
SSW060255T2257ESZ	Soft-Starter, 100 Motor HP, 255 Starter Amps, 230 Vac, Three-Phase	\$7,188
SSW060312T2257ESZ	Soft-Starter, 125 Motor HP, 312 Starter Amps, 230 Vac, Three-Phase	\$7,896
SSW060365T2257ESZ	Soft-Starter, 150 Motor HP, 365 Starter Amps, 230 Vac, Three-Phase	\$8,721
SSW060412T2257ESZ	Soft-Starter, 150 Motor HP, 412 Starter Amps, 230 Vac, Three-Phase	\$9,465
SSW060480T2257ESZ	Soft-Starter, 200 Motor HP, 480 Starter Amps, 230 Vac, Three-Phase	\$11,730
SSW060604T2257ESZ	Soft-Starter, 250 Motor HP, 604 Starter Amps, 230 Vac, Three-Phase	\$13,082
SSW060670T2257ESZ	Soft-Starter, 250 Motor HP, 670 Starter Amps, 230 Vac, Three-Phase	\$14,878
SSW060820T2257ESZ	Soft-Starter, 350 Motor HP, 820 Starter Amps, 230 Vac, Three-Phase	\$17,573
SSW060950T2257ESH1Z*	Soft-Starter, 400 Motor HP, 950 Starter Amps, 230 Vac, Three-Phase	\$26,592
SSW060950T2257ESH2Z*	Soft-Starter, 400 Motor HP, 950 Starter Amps, 230 Vac, Three-Phase	\$26,592
SSW061100T2257ESH2Z*	Soft-Starter, 450 Motor HP, 1100 Starter Amps, 230 Vac, Three-Phase	\$33,351
SSW061400T2257ESH2Z*	Soft-Starter, 550 Motor HP, 1400 Starter Amps, 230 Vac, Three-Phase	\$42,863

* 120V or 240V Control Power Supply required.
 950A, 1100A, and 1400A units do not have integrated AC/ by-pass. A separately mounted by-pass contactor is required.

Controls



Variable Frequency Drives & Soft Starters

Automation Drives & Controls

Soft Starters

SSW06 - Protected Chassis Enclosure

Input Power Supply: Three-Phase 460 Vac



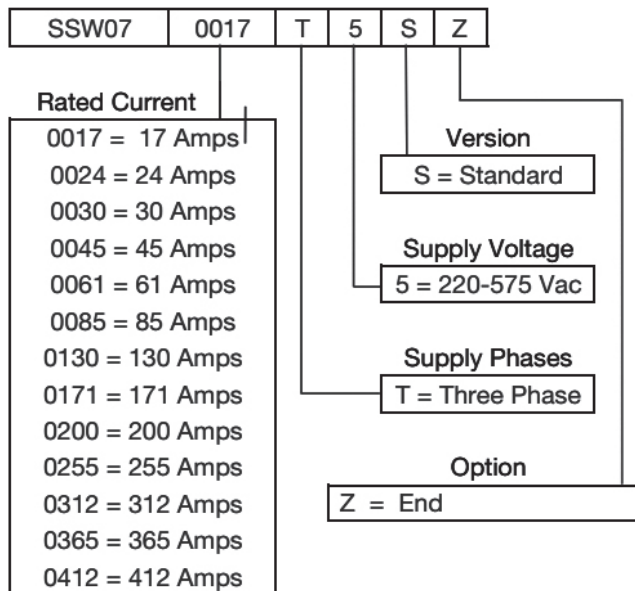
Part No.	Description	List Price*
SSW060010T2257ESZ	Soft-Starter, 5 Motor HP, 10 Starter Amps, 460 Vac, Three-Phase	\$1,386
SSW060016T2257ESZ	Soft-Starter, 10 Motor HP, 16 Starter Amps, 460 Vac, Three-Phase	\$1,429
SSW060023T2257ESZ	Soft-Starter, 15 Motor HP, 23 Starter Amps, 460 Vac, Three-Phase	\$1,572
SSW060030T2257ESZ	Soft-Starter, 20 Motor HP, 30 Starter Amps, 460 Vac, Three-Phase	\$1,703
SSW060045T2257ESZ	Soft-Starter, 30 Motor HP, 45 Starter Amps, 460 Vac, Three-Phase	\$1,976
SSW060060T2257ESZ	Soft-Starter, 40 Motor HP, 60 Starter Amps, 460 Vac, Three-Phase	\$2,181
SSW060085T2257ESZ	Soft-Starter, 50 / 60 / 75 Motor HP, 85 Starter Amps, 460 Vac, Three-Phase	\$2,771
SSW060130T2257ESZ	Soft-Starter, 100 Motor HP, 130 Starter Amps, 460 Vac, Three-Phase	\$3,547
SSW060170T2257ESZ	Soft-Starter, 125 Motor HP, 170 Starter Amps, 460 Vac, Three-Phase	\$4,270
SSW060205T2257ESZ	Soft-Starter, 150 Motor HP, 205 Starter Amps, 460 Vac, Three-Phase	\$5,354
SSW060255T2257ESZ	Soft-Starter, 200 Motor HP, 255 Starter Amps, 460 Vac, Three-Phase	\$7,188
SSW060312T2257ESZ	Soft-Starter, 250 Motor HP, 312 Starter Amps, 460 Vac, Three-Phase	\$7,896
SSW060365T2257ESZ	Soft-Starter, 300 Motor HP, 365 Starter Amps, 460 Vac, Three-Phase	\$8,721
SSW060412T2257ESZ	Soft-Starter, 350 Motor HP, 412 Starter Amps, 460 Vac, Three-Phase	\$9,465
SSW060480T2257ESZ	Soft-Starter, 400 Motor HP, 480 Starter Amps, 460 Vac, Three-Phase	\$11,730
SSW060604T2257ESZ	Soft-Starter, 500 Motor HP, 604 Starter Amps, 460 Vac, Three-Phase	\$13,082
SSW060670T2257ESZ	Soft-Starter, 550 Motor HP, 670 Starter Amps, 460 Vac, Three-Phase	\$14,878
SSW060820T2257ESZ	Soft-Starter, 700 Motor HP, 820 Starter Amps, 460 Vac, Three-Phase	\$17,573
SSW060950T2257ESH1Z*	Soft-Starter, 800 Motor HP, 950 Starter Amps, 460 Vac, Three-Phase	\$26,592
SSW060950T2257ESH2Z*	Soft-Starter, 800 Motor HP, 950 Starter Amps, 460 Vac, Three-Phase	\$26,592
SSW061100T2257ESH2Z*	Soft-Starter, 900 Motor HP, 1100 Starter Amps, 460 Vac, Three-Phase	\$33,351
SSW061400T2257ESH2Z*	Soft-Starter, 1200 Motor HP, 1400 Starter Amps, 460 Vac, Three-Phase	\$42,863

* 120V or 240V Control Power Supply required.

950A, 1100A, and 1400A units do not have integrated AC/ by-pass. A separately mounted by-pass contactor is required.

SSW07

SSW07 Catalog Number Sequence



Controls



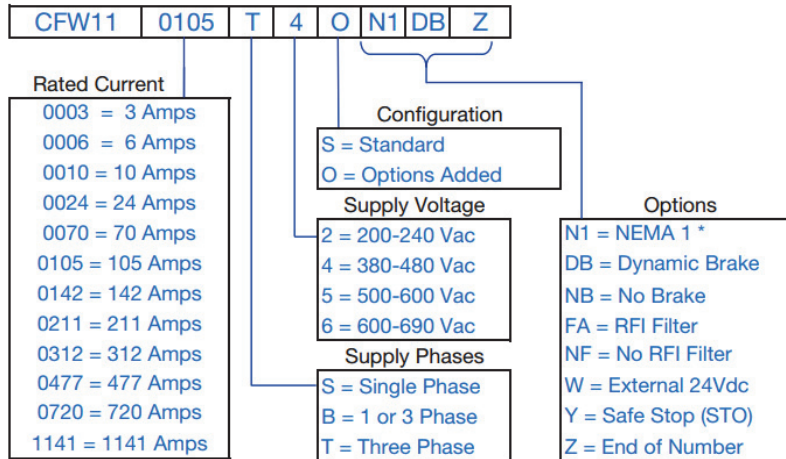
Variable Frequency Drives & Soft Starters

Automation Drives & Controls

Variable Frequency Drives

CFW11

CFW11 Catalog Number Sequence



CFW11 - NEMA 1 Enclosure

Input Power Supply: Three-Phase 380-480 Vac with Dynamic Braking Transistor



Part No.	Description	List Price*
CFW110003T40N1Z	Variable Speed System Drives with Dynamic Braking Transistor, 2 Motor HP Normal Duty, 3.6 Drive Amp Normal Duty, 460VAC, 3 Phase	\$1,616
CFW110005T40N1Z	Variable Speed System Drives with Dynamic Braking Transistor, 3 Motor HP Normal Duty, 5.0 Drive Amp Normal Duty, 460VAC, 3 Phase	\$1,650
CFW110007T40N1Z	Variable Speed System Drives with Dynamic Braking Transistor, 5 Motor HP Normal Duty, 7.0 Drive Amp Normal Duty, 460VAC, 3 Phase	\$1,712
CFW110010T40N1Z	Variable Speed System Drives with Dynamic Braking Transistor, 7-1/2 Motor HP Normal Duty, 10 Drive Amp Normal Duty, 460VAC, 3 Phase	\$1,969
CFW110013T40N1Z	Variable Speed System Drives with Dynamic Braking Transistor, 10 Motor HP Normal Duty, 3.5 Drive Amp Normal Duty, 460VAC, 3 Phase	\$2,068
CFW110017T40N1Z	Variable Speed System Drives with Dynamic Braking Transistor, 10 Motor HP Normal Duty, 17 Drive Amp Normal Duty, 460VAC, 3 Phase	\$2,530
CFW110024T40N1Z	Variable Speed System Drives with Dynamic Braking Transistor, 15 Motor HP Normal Duty, 24 Drive Amp Normal Duty, 460VAC, 3 Phase	\$2,992
CFW110031T40N1Z	Variable Speed System Drives with Dynamic Braking Transistor, 20 Motor HP Normal Duty, 31 Drive Amp Normal Duty, 460VAC, 3 Phase	\$3,873
CFW110038T40N1Z	Variable Speed System Drives with Dynamic Braking Transistor, 25 Motor HP Normal Duty, 38 Drive Amp Normal Duty, 460VAC, 3 Phase	\$4,300
CFW110045T40N1Z	Variable Speed System Drives with Dynamic Braking Transistor, 30 Motor HP Normal Duty, 45 Drive Amp Normal Duty, 460VAC, 3 Phase	\$5,400
CFW110058T40N1Z	Variable Speed System Drives with Dynamic Braking Transistor, 40 Motor HP Normal Duty, 58.5 Drive Amp Normal Duty, 460VAC, 3 Phase	\$6,633
CFW110070T40N1Z	Variable Speed System Drives with Dynamic Braking Transistor, 50/60 Motor HP Normal Duty, 70.5 Drive Amp Normal Duty, 460VAC, 3 Phase	\$7,500
CFW11008BT40N1Z	Variable Speed System Drives with Dynamic Braking Transistor, 60/75 Motor HP Normal Duty, 88 Drive Amp Normal Duty, 460VAC, 3 Phase	\$8,900
CFW11010ST40N1DBZ	Variable Speed System Drives with Dynamic Braking Transistor, 75 Motor HP Normal Duty, 105 Drive Amp Normal Duty, 460VAC, 3 Phase	\$13,600
CFW110142T40N1DBZ	Variable Speed System Drives with Dynamic Braking Transistor, 100/125 Motor HP Normal Duty, 142 Drive Amp Normal Duty, 460VAC, 3 Phase	\$15,900
CFW1101BOT40N1DBZ	Variable Speed System Drives with Dynamic Braking Transistor, 150 Motor HP Normal Duty, 180 Drive Amp Normal Duty, 460VAC, 3 Phase	\$23,115
CFW110211T40N1DBZ	Variable Speed System Drives with Dynamic Braking Transistor, 175 Motor HP Normal Duty, 211 Drive Amp Normal Duty, 460VAC, 3 Phase	\$27,020

Controls



Variable Frequency Drives & Soft Starters

Automation Drives & Controls

Variable Frequency Drives

CFW11 - NEMA 1 Enclosure

Input Power Supply: Three-Phase 380-480 Vac without Dynamic Braking Transistor



Part No.	Description	List Price*
CFW110105T40N1Z	Variable Speed System Drives without Dynamic Braking Transistor, 75 Motor HP Normal Duty, 105 Drive Amp Normal Duty, 460VAC, 3 Phase	\$10,650
CFW110142T40N1Z	Variable Speed System Drives without Dynamic Braking Transistor, 100/125 Motor HP Normal Duty, 142 Drive Amp Normal Duty, 460VAC, 3 Phase	\$12,500
CFW110180T40N1Z	Variable Speed System Drives without Dynamic Braking Transistor, 150 Motor HP Normal Duty, 180 Drive Amp Normal Duty, 460VAC, 3 Phase	\$17,500
GFW110211T40N1Z	Variable Speed System Drives without Dynamic Braking Transistor, 175 Motor HP Normal Duty, 211 Drive Amp Normal Duty, 460VAC, 3 Phase	\$21,000
CFW110242T4SZ	Variable Speed System Drives without Dynamic Braking Transistor, 200 Motor HP Normal Duty, 242 Drive Amp Normal Duty, 460VAC, 3 Phase	\$23,000
CFW110312T4SZ	Variable Speed System Drives without Dynamic Braking Transistor, 250 Motor HP Normal Duty, 312 Drive Amp Normal Duty, 460VAC, 3 Phase	\$29,366
CFW110370T4SZ	Variable Speed System Drives without Dynamic Braking Transistor, 300 Motor HP Normal Duty, 370 Drive Amp Normal Duty, 460VAC, 3 Phase	\$31,314
GFW1104nT4SZ	Variable Speed System Drives without Dynamic Braking Transistor, 400 Motor HP Normal Duty, 477 Drive Amp Normal Duty, 460VAC, 3 Phase	\$41,027
CFW110515T4SZ	Variable Speed System Drives without Dynamic Braking Transistor, 450 Motor HP Normal Duty, 515 Drive Amp Normal Duty, 460VAC, 3 Phase	\$43,970
GFW110601T4SZ	Variable Speed System Drives without Dynamic Braking Transistor, 500 Motor HP Normal Duty, 601 Drive Amp Normal Duty, 460VAC, 3 Phase	\$50,088 -
CFW110720T4SZ	Variable Speed System Drives without Dynamic Braking Transistor, 600 Motor HP Normal Duty, 720 Drive Amp Normal Duty, 460VAC, 3 Phase	\$59,330

Input Power Supply: Three-Phase 380-480 Vac without Dynamic Braking Transistor with IPOO AC Line Reactors



Part No.	Description	List Price*
CFW110795T40VZ-LR	Variable Speed System Drives without Dynamic Braking Transistor, 700 Motor HP Normal Duty, 795 Drive Amp Normal Duty, 460VAC 3 Phase with Qty(2) IPOO AC Line Reactors	\$66,157
CFW110877T40YZ-LR	Variable Speed System Drives without Dynamic Braking Transistor, 750 Motor HP Normal Duty, 877 Drive Amp Normal Duty, 460VAC, 3 Phase with Qty(2) IPOO AC Line Reactors	\$74,135
CFW111062T40YZ-LR	Variable Speed System Drives without Dynamic Braking Transistor, 950 Motor HP Normal Duty, 1062 Drive Amp Normal Duty, 460VAC, 3 Phase with Qty(2) IPOO AC Line Reactors	\$92,842
CFW111141T40YZ-LR	Variable Speed System Drives without Dynamic Braking Transistor, 1000 Motor HP Normal Duty, 1141 Drive Amp Normal Duty, 460VAC, 3 Phase with Qty(2) IPOO AC Line Reactors	\$105,623

Controls



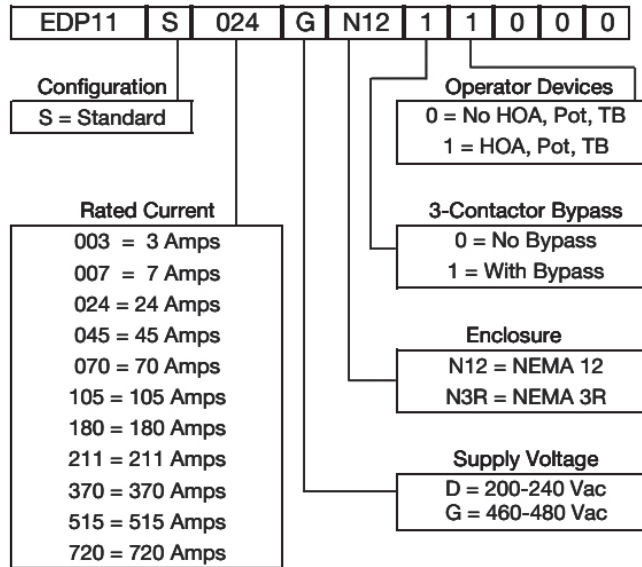
Variable Frequency Drives & Soft Starters

Automation Drives & Controls

Variable Frequency Drives

EDP11

EDP11 Catalog Number Sequence



EDP11 - Engineered Drive Panel - NEMA 12 Enclosure (no By-Pass)

Input Power Supply: Three-Phase 220-240 Vac with Dynamic Braking Transistor



Part No.	Description	List Price*
EDP11S007DN12	Variable Speed Frequency Drives with Dynamic Braking Transistor, 2 Motor HP Normal Duty, 7.0 Drive Amp Normal Duty, 230VAC, 3-Phase	\$6,690
EDP11S010DN12	Variable Speed Frequency Drives with Dynamic Braking Transistor, 3 Motor HP Normal Duty, 10 Drive Amp Normal Duty, 230VAC, 3-Phase	\$6,756
EDP11S013DN12	Variable Speed Frequency Drives with Dynamic Braking Transistor, 5 Motor HP Normal Duty, 13 Drive Amp Normal Duty, 230VAC, 3-Phase	\$6,855
EDP11S016DN12	Variable Speed Frequency Drives with Dynamic Braking Transistor, 5 Motor HP Normal Duty, 16 Drive Amp Normal Duty, 230VAC, 3-Phase	\$7,123
EDP11S024DN12	Variable Speed Frequency Drives with Dynamic Braking Transistor, 7-1/2 Motor HP Normal Duty, 24 Drive Amp Normal Duty, 230VAC, 3-Phase	\$7,664
EDP11S028DN12	Variable Speed Frequency Drives with Dynamic Braking Transistor, 10 Motor HP Normal Duty, 28 Drive Amp Normal Duty, 230VAC, 3-Phase	\$8,408
EDP11S033DN12	Variable Speed Frequency Drives with Dynamic Braking Transistor, 10 Motor HP Normal Duty, 33.5 Drive Amp Normal Duty, 230VAC, 3-Phase	\$9,108
EDP11S045DN12	Variable Speed Frequency Drives with Dynamic Braking Transistor, 15 Motor HP Normal Duty, 45 Drive Amp Normal Duty, 230VAC, 3-Phase	\$10,214
EDP11S054DN12	Variable Speed Frequency Drives with Dynamic Braking Transistor, 20 Motor HP Normal Duty, 54 Drive Amp Normal Duty, 230VAC, 3-Phase	\$11,491
EDP11S070DN12	Variable Speed Frequency Drives with Dynamic Braking Transistor, 25 Motor HP Normal Duty, 70 Drive Amp Normal Duty, 230VAC, 3-Phase	\$12,162
EDP11S086DN12	Variable Speed Frequency Drives with Dynamic Braking Transistor, 30 Motor HP Normal Duty, 86 Drive Amp Normal Duty, 230VAC, 3-Phase	\$14,321
EDP11S105DN12	Variable Speed Frequency Drives with Dynamic Braking Transistor, 40 Motor HP Normal Duty, 105 Drive Amp Normal Duty, 230VAC, 3-Phase	\$17,164
EOP11S142DN12	Variable Speed Frequency Drives with Dynamic Braking Transistor, 50 Motor HP Normal Duty, 142 Drive Amp Normal Duty, 230VAC, 3-Phase	\$19,793
EDP11S180DN12	Variable Speed Frequency Drives with Dynamic Braking Transistor, 60 Motor HP Normal Duty, 180 Drive Amp Normal Duty, 230VAC, 3-Phase	\$25,116
EDP11 S211DN12	Variable Speed Frequency Drives with Dynamic Braking Transistor, 75 Motor HP Normal Duty, 211 Drive Amp Normal Duty, 230VAC, 3-Phase	\$28,326

Controls



Variable Frequency Drives & Soft Starters

Automation Drives & Controls

Variable Frequency Drives

EDP11 - Engineered Drive Panel - NEMA 12 Enclosure (no By-Pass)

Input Power Supply: Three-Phase 460-480 Vac with Dynamic Braking Transistor



Part No.	Description	List Price*
EDP11S003GN12	Variable Speed Frequency Drives with Dynamic Braking Transistor, 2 Motor HP Normal Duty, 3.6 Drive Amp Normal Duty, 460VAC, 3-Phase	\$6,510
EDP11S005GN12	Variable Speed Frequency Drives with Dynamic Braking Transistor, 3 Motor HP Normal Duty, 5.0 Drive Amp Normal Duty, 460VAC, 3-Phase	\$6,626
EDP11SD07GN12	Variable Speed Frequency Drives with Dynamic Braking Transistor, 5 Motor HP Normal Duty, 7.0 Drive Amp Normal Duty, 460VAC, 3-Phase	\$6,690
EDP11 S010GN12	Variable Speed Frequency Drives with Dynamic Braking Transistor, 7 1/2 Motor HP Normal Duty, 10 Drive Amp Normal Duty, 460VAC, 3-Phase	\$6,756
EDP11S013GN12	Variable Speed Frequency Drives with Dynamic Braking Transistor, 10 Motor HP Normal Duty, 13.5 Drive Amp Normal Duty, 460VAC, 3-Phase	\$6,855
EDP11S017GN12	Variable Speed Frequency Drives with Dynamic Braking Transistor, 10 Motor HP Normal Duty, 17 Drive Amp Normal Duty, 460VAC, 3-Phase	\$7,269
EDP11S024GN12	Variable Speed Frequency Drives with Dynamic Braking Transistor, 15 Motor HP Normal Duty, 24 Drive Amp Normal Duty, 460VAC, 3-Phase	\$7,821
EDP11 S031GN12	Variable Speed Frequency Drives with Dynamic Braking Transistor, 20 Motor HP Normal Duty, 31 Drive Amp Normal Duty, 460VAC, 3-Phase	\$8,580
EDP11S038GN12	Variable Speed Frequency Drives with Dynamic Braking Transistor, 25 Motor HP Normal Duty, 38 Drive Amp Normal Duty, 460VAC, 3-Phase	\$9,293
EOP11 S045GN1 2	Variable Speed Frequency Drives with Dynamic Braking Transistor, 30 Motor HP Normal Duty, 45 Drive Amp Normal Duty, 460VAC, 3-Phase	\$10,422
EOP11S058GN12	Variable Speed Frequency Drives with Dynamic Braking Transistor, 40 Motor HP Normal Duty, 58.5 Drive Amp Normal Duty, 460VAC, 3-Phase	\$12,026
EDP11S070GN12	Variable Speed Frequency Drives with Dynamic Braking Transistor, 50/60 Motor HP Normal Duty, 70.5 Drive Amp Normal Duty, 460VAC, 3-Phase	\$12,729
EDP11S088GN12	Variable Speed Frequency Drives with Dynamic Braking Transistor, 75 Motor HP Normal Duty, 88 Drive Amp Normal Duty, 460VAC, 3-Phase	\$14,988
EDP11S105GN12	Variable Speed Frequency Drives with Dynamic Braking Transistor, 75 Motor HP Normal Duty, 105 Drive Amp Normal Duty, 460VAC, 3-Phase	\$17,964
EDP11S142GN12	Variable Speed Frequency Drives with Dynamic Braking Transistor, 100/125 Motor HP Normal Duty, 142 Drive Amp Normal Duty, 460VAC, 3-Phase	\$20,715
EDP11 S1BOGN12	Variable Speed Frequency Drives with Dynamic Braking Transistor, 150 Motor HP Normal Duty, 180 Drive Amp Normal Duty, 460VAC, 3-Phase	\$26,286
EOP11S211 GN12	Variable Speed Frequency Drives with Dynamic Braking Transistor, 175 Motor HP Normal Duty, 211 Drive Amp Normal Duty, 460VAC, 3-Phase	\$29,645
EOP11S242GN12	Variable Speed Frequency Drives with Dynamic Braking Transistor, 200 Motor HP Normal Duty, 242 Drive Amp Normal Duty, 460VAC, 3-Phase	\$40,755
EOP11S312GN12	Variable Speed Frequency Drives with Dynamic Braking Transistor, 250 Motor HP Normal Duty, 312 Drive Amp Normal Duty, 460VAC, 3-Phase	\$45,114
EDP11S370GN12	Variable Speed Frequency Drives with Dynamic Braking Transistor, 300 Motor HP Normal Duty, 370 Drive Amp Normal Duty, 460VAC, 3-Phase	\$47,743
EDP11S477GN12	Variable Speed Frequency Drives with Dynamic Braking Transistor, 400 Motor HP Normal Duty, 477 Drive Amp Normal Duty, 460VAC, 3-Phase	\$54,585
EDP11S515GN12	Variable Speed Frequency Drives with Dynamic Braking Transistor, 450 Motor HP Normal Duty, 515 Drive Amp Normal Duty, 460VAC, 3-Phase	\$66,023
EDP11 S601GN12	Variable Speed Frequency Drives with Dynamic Braking Transistor, 500 Motor HP Normal Duty, 601 Drive Amp Normal Duty, 460VAC, 3-Phase	\$71,875
EDP11S720GN12	Variable Speed Frequency Drives with Dynamic Braking Transistor, 600 Motor HP Normal Duty, 720 Drive Amp Normal Duty, 460VAC, 3-Phase	\$88,556

Table of Contents

Categorized Listing

Advanced Cable Ties, Inc.	1
Wire Management & Accessories	1
Nylon & Stainless Steel Cable Ties	1
Wire Routing & Abrasion Protection	2
Tools	3
Cable Tie Tools	3
Brady Worldwide, Inc.	4
Wire Management & Accessories	4
Wire & Pipe Identification	4
BBP 31 and BBP 33 Materials	5
PermaSleeve PS Polyolefin Wire Marking Sleeves (B-342)	5
Indoor/Outdoor Vinyl (B595)	6
Printers and Scanners	7
Portable Printers and Accessories	7
METZ Connect	8
Connectors	8
Plugs & Jacks For Cabling	8
Faceplates	8
Accessories For Copper Cabling	8
Teldor Cables & Wire LTD.	9
Wires & Cables	9
Hybrid & Composite Cables	9
Coaxial Cables	9
Offshore FiberOptic Cables	9
Offshore Cables	10
Eaton	12
Power Management	12
(UPS) Uninterruptible Power Supply, & EPDUs	12
IDEC Corporation	15
Controls	15
Relays & Sockets	15
Power Supply	17
Switches & Pilot Devices	18
Switches	28
Automation	28
ABB Products	29
Controls	29
Circuit Breakers	29
Contactors	35
Pulse	39
Power Management	39
Power Supply	39
Power Sonic	41
Batteries	41
Rechargeable Sealed Lead Acid Battery	41
Red Lion Controls, Inc.	43
Industrial Networking Switches	43
Ethernet Switches Managed & Unmanaged	43
POE Injectors	44
Stahlin	45
Electrical Enclosures	45

Table of Contents

Categorized Listing

Fiberglass Junction Boxes & Back Panels	45
Rittal Inc.	47
Electrical Enclosures	47
Carbon Steel & Stainless Steel Wall Mount Enclosures & Back Panels	47
Weg	48
Controls	48
Variable Frequency Drives & Soft Starters	48
